

# Variable speed drives Altivar Process

Catalog  
April 2015



# How can you fit a 6000-page catalog in your pocket ?

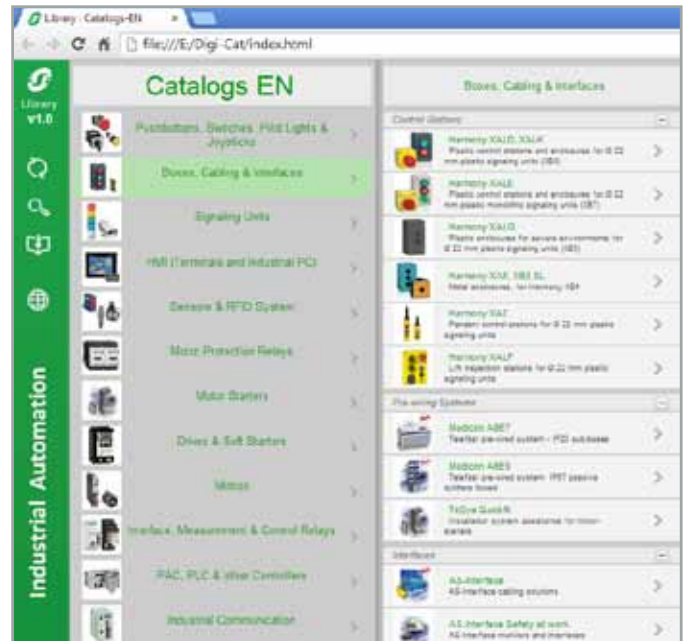
Schneider Electric provides you with the complete set of industrial automation catalogs all on a handy USB key for PC or in an application for tablets



## Digi-Cat, a handy USB key for PC



- > Convenient to carry
- > Always up-to-date
- > Environmentally friendly
- > Easy-to-share format



Contact your local representative to get your own Digi-Cat



## e-Library, the app for tablets

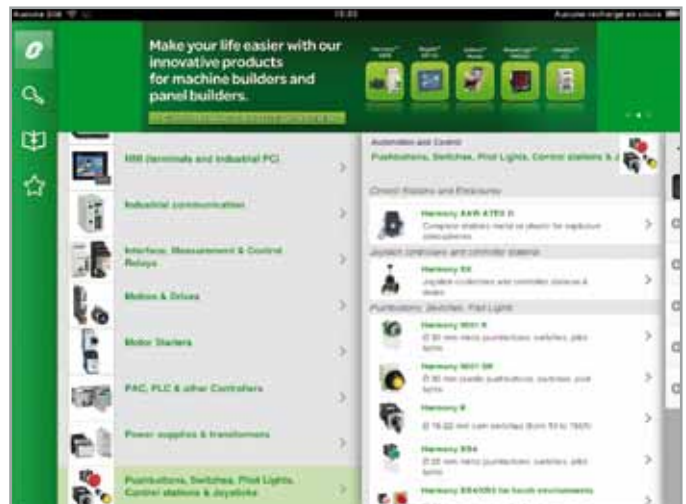
If you have an iPad®:

- > Go to the App Store and search for e-Library
- > or scan the QR code



If you have an Android tablet:

- > Go to the Google Play Store™ and search for eLibrary
- > or scan the QR code



# Contents

■ General presentation.....	page 2
<i>IP 21, IP 54 or IP 55 variable speed drive selection guide .....</i>	<i>page 4</i>
<i>IP 23 or IP 54 Drive Systems selection guide .....</i>	<i>page 6</i>
■ Altivar Process variable speed drives presentation .....	page 8
■ Altivar Process Drive Systems presentation.....	page 16
<b>Altivar Process variable speed drives</b>	
■ 200...240 V 50/60 Hz supply, IP 21/UL Type 1 .....	page 18
■ 380...480 V 50/60 Hz supply .....	page 19
□ IP 21/UL Type 1, with integrated category C2 or C3 EMC filter.....	page 19
□ IP 55, with integrated category C2 or C3 EMC filter .....	page 21
□ IP 55, with Vario disconnect switch and integrated category C2 or C3 EMC filter .....	page 22
■ 380...440 V 50/60 Hz supply .....	page 20
□ IP 21, floor standing, with integrated category C3 EMC filter.....	page 20
□ IP 54, floor standing, with integrated category C3 EMC filter.....	page 23
■ Replacement parts .....	page 23
■ Graphic display terminal.....	page 24
■ Accessories .....	page 25
■ Web server .....	page 26
■ DTM libraries and SoMove setup software.....	page 27
<b>Options</b>	
■ Drive/option combinations .....	page 28
■ I/O expansion modules .....	page 32
■ Communication buses and networks .....	page 34
■ Passive filters .....	page 42
■ EMC filters .....	page 46
■ dv/dt filters .....	page 48
■ Sinus filters.....	page 50
<b>Motor starters</b>	
■ 200...240 V 50/60 Hz supply.....	page 52
■ 380...415 V 50/60 Hz supply.....	page 53
■ 440 V 50/60 Hz supply.....	page 55
<b>Altivar Process Drive Systems</b>	
■ Compact Drive Systems.....	page 58
■ Low Harmonic Drive Systems .....	page 62
■ Options.....	page 64
<b>Dimensions</b>	
■ Drives .....	page 70
■ Options.....	page 73
<b>Services</b>	
■ A whole world of services for your drives.....	page 76
<b>Index</b>	
■ Product reference index.....	page 80

#### Altivar Process

Provides the efficiency you deserve

Altivar Process drives offer extensive flexibility in Water & wastewater, Mining, minerals & metals, Oil & gas and Food & beverage applications. Depending on the customer's requirements, wall-mounting drives, built-in cabinet and floor-standing solutions are available with IP 21, IP 23, IP 54 and IP 55 protection degrees.

Wall-mounting drives from 0.75 kW to 160 kW

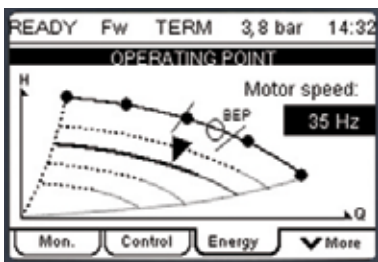
Floor-standing drives from 110 kW to 315 kW

Drive Systems from 110 kW to 800 kW

From basic design to customized offer



Altivar Process drives



Display screen

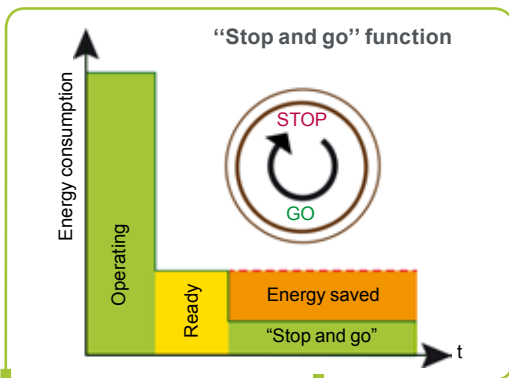
#### Business optimization

##### Optimum monitoring of your process

- > Instant reaction if pump efficiency drops thanks to the embedded pump monitoring
- > Notification of critical operating points without additional sensors
- > Process integration with pressure, flow and level control including compensation of flow losses

##### The energy-saving drive solution

- > Up to 60% energy saving when on standby due to the innovative "Stop & Go" operation without additional costs
- > Smart control of the internal fans depending on operation
- > Optimum energy efficiency over the whole life cycle
- > Data logging and graphic display of the power consumption



#### Real-time intelligence

##### Web server and services via Ethernet

- > Embedded web server interface based on the Ethernet network gives you process monitoring with your daily working tools.
- > Local and remote access to energy use and customized dashboards means your energy is visible anywhere, any time, on PC, tablet or smartphone.





**ODVA organization:**  
supports network  
technologies based on  
EtherNet/IP



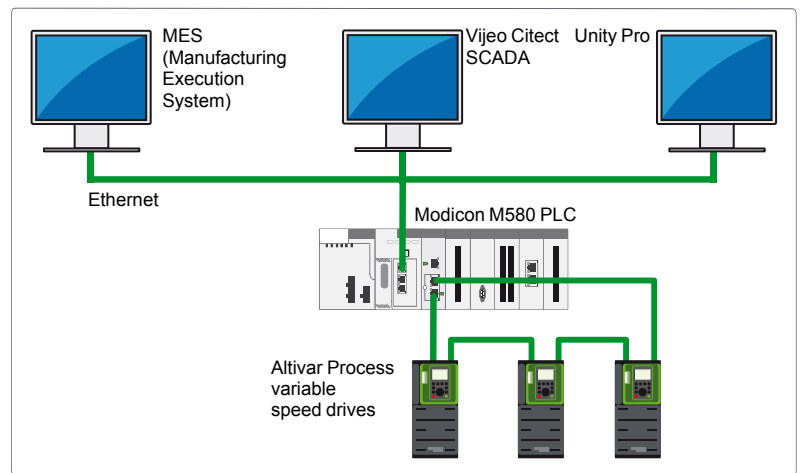
**FDT Technology:** an  
international standard  
with broad acceptance  
in the automation  
industry



### User-friendliness

#### Simple integration in PLC environments

- > Easy integration thanks to standardized FDT/DTM and ODVA technology
- > Supported by predefined Unity Pro libraries
- > Easy access via PC, tablet or smartphone
- > Secure connection via "Cyber-secure Ethernet"



Integration in the Modicon M580 automation platform



Scanning the QR code from a smartphone or tablet



Instant access to online help

#### Sophisticated service concept

- > Modular design provides easy spare parts logistics
- > Optimized maintenance costs due to dynamic maintenance schedule, with integrated monitoring of individual components
- > Simple exchange of power modules and fans
- > Quick assistance with dynamic QR codes and Customer Care App



### Green product

#### Designed to have a smaller carbon footprint

- > The Green Premium product label, Schneider Electric's eco-mark, indicates your compliance with international environmental standards such as:
  - > RoHS-2 according to EU directive C€ 2002/95
  - > REACH according to EU regulation 1907/2006
  - > IEC 62635: the end-of-life instructions comply with the latest recycling rules, 70% of the product components can be recycled.

# IP 21, IP 55 or IP 54 variable speed drives for asynchronous and synchronous motors

**Market segments**

- Water & wastewater
- Oil & gas
- Mining, minerals & metals
- Food & beverage



<b>Mounting type</b>	Wall mounting	Floor standing
<b>Degree of protection</b>	IP 21/UL Type 1	IP 21
<b>Power range for 50...60 Hz line supply</b>	Three-phase: 200...240 V (kW/HP)	0.75...75/1...100
	Three-phase: 380...440 V (kW)	–
	Three-phase: 380...480 V (kW/HP)	110...315
<b>Drive</b>	Output frequency	0.75...160/1...250
	Control type	0.1...500 Hz
<b>Functions</b>	Asynchronous motor	Standard constant torque, variable standard torque, optimized torque mode
	Synchronous motor	PM (Permanent Magnet) motor
<b>Number of integrated I/O</b>	Advanced functions	<ul style="list-style-type: none"> <li>■ Accurate measurement for monitoring system energy consumption (deviation &lt; 5%)</li> <li>■ Installation energy drift detection</li> <li>■ Embedded Ethernet with direct access to system configuration and monitoring</li> <li>■ Integration of actual pump curves to optimize the system operating point</li> <li>■ Optimized pump monitoring based on actual operating point</li> <li>■ Sensorless estimated flow rate</li> <li>■ Measurements expressed in working units (e.g.: m³/h, kWh/m³)</li> <li>■ Limitation of overvoltage at the motor terminals</li> <li>■ Contextual access to technical documentation through dynamic QR code</li> <li>■ Continuous and historical real-time measurements with customizable dashboards</li> <li>■ Predictive and preventive maintenance tracking functions (e.g.: temperatures with PT100/1000 probe, fan monitoring)</li> </ul>
	Integrated safety function	1: STO (Safe Torque Off) SIL3
<b>I/O expansion modules (optional)</b>	Number of preset speeds	16
	Analog inputs	3: Configurable as voltage (0...10 V) or current (0-20 mA/4-20 mA), including 2 for probes (PTC, PT100, PT1000 or KTY84)
	Digital inputs	6
	Analog outputs	2: Configurable as voltage (0...10 V) or current (0-20 mA)
	Relay outputs	3
<b>Relay output module (optional)</b>	Safety function inputs	2: For safety function STO
	Digital inputs	2 differential analog inputs configurable via software as current (0-20 mA/ 4-20 mA), or for PTC, PT100 or PT1000, 2 or 3-wire
	Digital outputs	6: Voltage 24 V $\overline{\text{---}}$ (positive or negative logic)
<b>Communication</b>	Relay outputs	2: Assignable
	Option modules	3: NO contacts
<b>Configuration and runtime tools</b>	Modbus/TCP, Modbus serial link	Modbus/TCP, Modbus serial link
	Option modules	EtherNet/IP and Modbus/TCP Dual port, ProfiNet, CANopen RJ45 Daisy Chain, Sub-D and screw terminals, Profibus DP V1 and DeviceNet
<b>Standards and certifications</b>	Graphic display terminal, embedded web server, DTM (Device Type Manager), SoMove software	Graphic display terminal, embedded web server, DTM (Device Type Manager), SoMove software
	Standards and certifications	UL 508C, EN/IEC 61800-3, EN/IEC 61800-3 environment 1 category C2, EN/IEC 61800-3 environment 2 category C3, EN/IEC 61800-5-1, IEC 61000-3-12, IEC 60721-3, IEC 61508
<b>References</b>	<b>ATV630●●●●●</b>	<b>ATV630●●●●●F</b>
<b>Page</b>	18	20

- Water & wastewater
- Oil & gas
- Mining, minerals & metals
- Food & beverage



<b>Mounting type</b>	Wall mounting	Wall mounting	Floor standing
<b>Degree of protection</b>	IP 55	IP 55 with Vario disconnect switch	IP 54
<b>Power range for 50...60 Hz line supply</b>	–	–	–
	–	–	110...315
	0.75...90/1...125	–	–
<b>Drive</b>	0.1...500 Hz	0.1...500 Hz	0.1...500 Hz
	Standard constant torque, variable standard torque, optimized torque mode	Standard constant torque, variable standard torque, optimized torque mode	Standard constant torque, variable standard torque, optimized torque mode
<b>Functions</b>	PM (Permanent Magnet) motor	PM (Permanent Magnet) motor	PM (Permanent Magnet) motor
	<ul style="list-style-type: none"> <li>■ Accurate measurement for monitoring system energy consumption (deviation &lt; 5%)</li> <li>■ Installation energy drift detection</li> <li>■ Embedded Ethernet with direct access to system configuration and monitoring</li> <li>■ Integration of actual pump curves to optimize the system operating point</li> <li>■ Optimized pump monitoring based on actual operating point</li> <li>■ Sensorless estimated flow rate</li> <li>■ Measurements expressed in working units (e.g.: m³/h, kWh/m³)</li> <li>■ Limitation of overvoltage at the motor terminals</li> <li>■ Contextual access to technical documentation through dynamic QR code</li> <li>■ Continuous and historical real-time measurements with customizable dashboards</li> <li>■ Predictive and preventive maintenance tracking functions (e.g.: Temperatures with PT100/1000 probe, fan monitoring)</li> </ul>	<ul style="list-style-type: none"> <li>■ Accurate measurement for monitoring system energy consumption (deviation &lt; 5%)</li> <li>■ Installation energy drift detection</li> <li>■ Embedded Ethernet with direct access to system configuration and monitoring</li> <li>■ Integration of actual pump curves to optimize the system operating point</li> <li>■ Optimized pump monitoring based on actual operating point</li> <li>■ Sensorless estimated flow rate</li> <li>■ Measurements expressed in working units (e.g.: m³/h, kWh/m³)</li> <li>■ Limitation of overvoltage at the motor terminals</li> <li>■ Contextual access to technical documentation through dynamic QR code</li> <li>■ Continuous and historical real-time measurements with customizable dashboards</li> <li>■ Predictive and preventive maintenance tracking functions (e.g.: Temperatures with PT100/1000 probe, fan monitoring)</li> </ul>	<ul style="list-style-type: none"> <li>■ Accurate measurement for monitoring system energy consumption (deviation &lt; 5%)</li> <li>■ Installation energy drift detection</li> <li>■ Embedded Ethernet with direct access to system configuration and monitoring</li> <li>■ Integration of actual pump curves to optimize the system operating point</li> <li>■ Optimized pump monitoring based on actual operating point</li> <li>■ Sensorless estimated flow rate</li> <li>■ Measurements expressed in working units (e.g.: m³/h, kWh/m³)</li> <li>■ Limitation of overvoltage at the motor terminals</li> <li>■ Contextual access to technical documentation through dynamic QR code</li> <li>■ Continuous and historical real-time measurements with customizable dashboards</li> <li>■ Predictive and preventive maintenance tracking functions (e.g.: Temperatures with PT100/1000 probe, fan monitoring)</li> </ul>
<b>Number of integrated I/O</b>	1: STO (Safe Torque Off) SIL3	1: STO (Safe Torque Off) SIL3	1: STO (Safe Torque Off) SIL3
	16	16	16
<b>I/O expansion modules (optional)</b>	3: Configurable as voltage (0...10 V) or current (0-20 mA/4-20 mA), including 2 for probes (PTC, PT100, PT1000 or KTY84)	3: Configurable as voltage (0...10 V) or current (0-20 mA/4-20 mA), including 2 for probes (PTC, PT100, PT1000 or KTY84)	3: Configurable as voltage (0...10 V) or current (0-20 mA/4-20 mA), including 2 for probes (PTC, PT100, PT1000 or KTY84)
	6	6	6
	2: Configurable as voltage (0...10 V) or current (0-20 mA)	2: Configurable as voltage (0...10 V) or current (0-20 mA)	2: Configurable as voltage (0...10 V) or current (0-20 mA)
	3	3	3
	2: For safety function STO	2: For safety function STO	2: For safety function STO
<b>Relay output module (optional)</b>	2 differential analog inputs configurable via software as current (0-20 mA/ 4-20 mA), or for PTC, PT100 or PT1000, 2 or 3-wire	2 differential analog inputs configurable via software as current (0-20 mA/ 4-20 mA), or for PTC, PT100 or PT1000, 2 or 3-wire	2 differential analog inputs configurable via software as current (0-20 mA/ 4-20 mA), or for PTC, PT100 or PT1000, 2 or 3-wire
	6: Voltage 24 V $\overline{\text{---}}$ (positive or negative logic)	6: Voltage 24 V $\overline{\text{---}}$ (positive or negative logic)	6: Voltage 24 V $\overline{\text{---}}$ (positive or negative logic)
	2: Assignable	2: Assignable	2: Assignable
<b>Communication</b>	3: NO contacts	3: NO contacts	3: NO contacts
	Modbus/TCP, Modbus serial link	Modbus/TCP, Modbus serial link	Modbus/TCP, Modbus serial link
<b>Configuration and runtime tools</b>	EtherNet/IP and Modbus/TCP Dual port, ProfiNet, CANopen Daisy Chain RJ45, Sub-D and screw terminals, Profibus DP V1 and DeviceNet	EtherNet/IP and Modbus/TCP Dual port, ProfiNet, CANopen Daisy Chain RJ45, Sub-D and screw terminals, Profibus DP V1 and DeviceNet	EtherNet/IP and Modbus/TCP Dual port, ProfiNet, CANopen Daisy Chain RJ45, Sub-D and screw terminals, Profibus DP V1 and DeviceNet
	Graphic display terminal, embedded web server, DTM (Device Type Manager), SoMove software	Graphic display terminal, embedded web server, DTM (Device Type Manager), SoMove software	Graphic display terminal, embedded web server, DTM (Device Type Manager), SoMove software
<b>Standards and certifications</b>	UL 508C, EN/IEC 61800-3, EN/IEC 61800-3 environment 1 category C2, EN/IEC 61800-3 environment 2 category C3, EN/IEC 61800-5-1, IEC 61000-3-12, IEC 60721-3, IEC 61508	UL 508C, EN/IEC 61800-3, EN/IEC 61800-3 environment 1 category C2, EN/IEC 61800-3 environment 2 category C3, EN/IEC 61800-5-1, IEC 61000-3-12, IEC 60721-3, IEC 61508	EN/IEC 61800-3, EN/IEC 61800-3 environment 2 category C3, EN/IEC 61800-5-1, IEC 60721-3, IEC 61508
	<b>ATV650●●●●●</b>	<b>ATV650●●●●●E</b>	<b>ATV650●●●●●F</b>
<b>Page</b>	21	22	23



# IP 23 and IP 54 Drive Systems for asynchronous and synchronous motors

**Market segments**

- Water & wastewater
- Oil & gas
- Mining, minerals & metals
- Food & beverage



**Power range for 50...60 Hz line supply** Three-phase: 380...415 V (kW)

90...800

**Main characteristics**

Compact Drive Systems with an integrated line reactor to reduce the current harmonics THDI < 48%

**Variants**

Compact standard offer  
Modular with integrated options (ETO)  
User-definable on request (Full ETO)

**Degree of protection**

IP 23  
IP 54 with separate air flows as an option

**Drive** Output frequency  
Type of control Asynchronous motor  
Synchronous motor

0.1...500 Hz  
Constant load torque standard  
Variable load torque standard  
Load-dependent mode  
PM (permanent magnet) motor

**Communication** Integrated  
As an option

Modbus/TCP  
Modbus serial link  
Ethernet  
EtherNet/IP and Modbus/TCP Dual port  
PROFINET  
CANopen RJ45 Daisy Chain, SUB-D9 and screw terminals  
Profibus DP V1  
DeviceNet

**Interfaces**

Operating panel in the enclosure door  
Control terminals inside the enclosure  
Control terminals can be extended  
Reading of the parameters via USB interface on the keypad

**Type of drive**

**ATV660●●●Q4X1**

**Page**

58

- Water & wastewater
- Oil & gas
- Mining, minerals & metals
- Food & beverage



90...800

Low Harmonic Drive Systems with active mains rectifier to reduce the current harmonics THDI < 5%

Low Harmonic standard offer  
Modular with integrated options (ETO)  
User-definable on request (Full ETO)

IP 23  
IP 54 with separate air flows as an option

0.1...500 Hz  
Constant load torque standard  
Variable load torque standard  
Load-dependent mode  
PM (permanent magnet) motor

Modbus/TCP  
Modbus serial link  
Ethernet  
EtherNet/IP and Modbus/TCP Dual port  
PROFINET  
CANopen RJ45 Daisy Chain, SUB-D9 and screw terminals  
Profibus DP V1  
DeviceNet

Operating panel in the enclosure door  
Control terminals inside the enclosure  
Control terminals can be extended  
Reading of the parameters via USB interface on the keypad

**ATV680●●●Q4X1**

62



Altivar Process range

### Process

The Altivar Process drive is an IP 21, IP 54 or IP 55 frequency inverter for three-phase synchronous and asynchronous motors, specially designed for the following market segments:

- Water & wastewater
- Oil & gas
- Mining, minerals & metals
- Food & beverage



### Water & wastewater applications

- Pumping
- Drilling
- Suction
- Dosing
- Odor control
- Ventilation
- Gas compression
- Sludge removal

### Use

- Pumping station and storage tank
- Irrigation
- Treatment plant
- Desalination plant
- Storage and booster station
- Housing
- Wastewater lift station
- Wastewater treatment
- Discharge back into the environment, land application





### Process (continued)

#### Oil & gas applications

- Hydrocarbon production:
  - Drilling
  - Offshore and onshore extraction
  - Water treatment and re-injection
  - Crude oil storage
  - Separation
  - Pipeline pumping
  - Storage
  - Refining
  - DOF (Digital Oil Field)

#### Use

- Pumps:
  - Submersible
  - Hydraulic
  - Pipeline
  - Reverse flow
  - Water injection
  - Kerosene
- Regasification compressors
- Refining:
  - Fans
  - Compressors



#### Mining, minerals & metals applications

- Flotation and thickening
- Rinsing and filtration
- Mine shaft pumping
- Preheater fan
- Waste gas evacuation
- Cooling fan
- Separator for vertical roller mill
- Storage and loading
- Water supply
- Pumping
- Drying fans

#### Use

- Conveyors
- Grinders
- Mixers
- Pumps



#### Food & beverage applications

- Pumping
- Drying fans

#### Use

- Conveyors
- Mixers
- Centrifuges
- Pumps



Cooling system with two separate air flows

### General presentation of the offer

Altivar Process drives can help improve equipment performance and reduce operating costs by optimizing energy consumption and user comfort.

Altivar Process drives provide a wide range of integrated functions, such as:

- Safety and automation functions that meet the requirements of the most demanding applications
- Various optional communication modules available for seamless integration into the main automation architectures
- Numerous configurable I/O as standard to facilitate adaptation to specific applications
- Intuitive commissioning using the graphic display terminal
- Local and remote access and monitoring using the embedded Web server
- Energy savings and protection of the grid by means of integrated harmonic filters
- Installation EMC conformity by means of integrated EMC filters

Depending on the power range, Altivar Process is available with several mounting types and protection indices:

- Wall-mounting IP 21/UL Type 1 from 0.75 kW/1 HP to 110 kW/150 HP, ready-to-use for easy integration inside or without an enclosure in an electrical room
- Wall-mounting IP 55 from 0.75 kW/1 HP to 90 kW/125 HP, ready-to-use for easy integration in a severe environment or in an outdoor installation close to the system to reduce the length of the motor cable. The wall-mounting IP 55 offer is available with and without a disconnect switch
- Floor-standing IP 21 and IP 54 from 110 to 315 kW, ready-to-use in high-power ranges with minimum dimensions for easy, optimized integration in an electrical room with a standard or severe environment

### Floor-standing high-power drives

The floor-standing IP 21/IP 54 drive offers integrate:

- The drive power and control modules
- Semiconductor protection fuses
- Line chokes to limit THDI levels
- A filter to protect the motor against the effects of dv/dt
- Accessible busbars to simplify the motor wiring and power wiring

The IP 54 variant is fitted with additional equipment, such as:

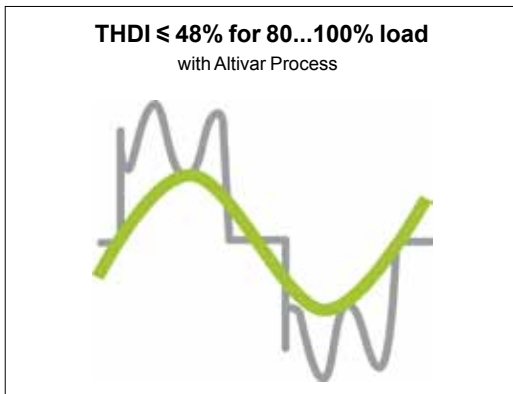
- A main switch with external handle
- A system for separating the cooling air flow between the power and control parts, allowing operation in a very polluted environment as well as optimum management of thermal stress in the plant room

Altivar Process drives can also be supplied as Engineered Drive System variants from 110 kW to 1500 kW, developed by Schneider Electric based on customer specifications.

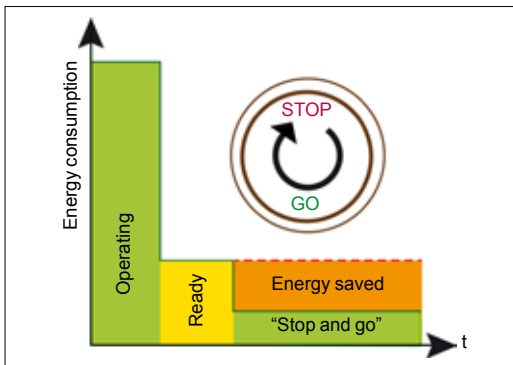
### Rugged

Altivar Process drives are designed to adapt to the harshest environments.

- Ambient operating temperature
- wall-mounting drives:
  - IP 21 : - 15...+ 50 °C/+ 5...122 °F as standard  
+ 50...60 °C/+ 122...140 °F with derating
  - IP 55 : - 15...+ 40 °C/+ 5...104 °F as standard  
+ 40...50 °C/+ 104...122 °F with derating
  - a patented flange-mounting kit for evacuating outside the enclosure in which it is mounted the heat dissipation from the power section (see page 23)
- floor-standing IP 21/IP 54 drives:
  - 0...+ 40 °C/32...+ 104 °F as standard
  - + 40...+ 50 °C/+ 104...122 °F with derating
- Storage and transport temperature: - 40...+ 70 °C/- 40...+ 158 °F
- Operating altitude:
  - 0...1,000 m/0...3,281 ft without derating
  - 1,000...4,800 m/3,281...15,748 ft with derating of 1% per 100 m/328 ft
- Withstand to harsh environments:
  - Chemical class 3C3 conforming to IEC/EN 60721
  - Mechanical class 3S3 conforming to IEC/EN 60721
  - Electronic cards with protective coating
- Protection to suit requirements:
  - IP 21/UL type 1 for wall mounting in a plant room and in an enclosure
  - IP 55 for wall mounting, with protection against dust and water jets
  - Floor-standing IP 21
  - Floor-standing IP 54, with protection against dust and water jets



Altivar Process drive THDI



"Stop and go" function

### General presentation of the offer (continued)

#### Energy

Altivar Process drives help to optimize power consumption by reducing the rms input current for the same load.

- Standard offer:
  - THDI  $\leq 48\%$  for 80 to 100% load, which is used to maintain an optimum power factor on the most common operating range
- Low harmonic offer compatible with standard IEEE 519

In addition, thanks to the "stop and go" function, the Altivar Process drive can reduce its power consumption by up to 60% during system stop phases by disabling some functions automatically (the power section, fans, backlighting, etc). On a system restart request, the Altivar Process drive takes less than 2 seconds to restart the motor.

Integrated as standard, the "stop and go" function can be activated and deactivated in the drive parameters.

#### Environment

The Altivar Process drive has been developed to meet the requirements of directives regarding protection of the environment and anticipate future changes in regulations:

- RoHS-2 (1)
- REACH (2) + Solution for REACH Substitute It Now (halogen-free wiring and plastics)
- PEP (Product Environmental Profile) eco-passport Program for reducing the carbon footprint and conserving raw materials
- EoLI (End of Life Instruction) (3)
- More than 70% recyclable materials (new ruling)
- Efficient energy management: 30% reduction in consumption

#### Electromagnetic compatibility (EMC)

Compliance with electromagnetic compatibility requirements has been incorporated into the design of the drive, which simplifies installation and provides an economical means of helping to ensure equipment meets CE marking requirements. Altivar Process drives have a category C2 or C3 EMC filter, except ATV630U07M3...D75M3 models which can take an additional filter to meet more stringent requirements (see page 44).

#### Installation/Maintenance

Altivar Process drives are ergonomically designed to adapt to any type of installation:

- Products, systems or integrated in iMCC
- IP 21, UL type 1; IP 55, IP 54
- Easy installation of products and systems:
  - Cable entry equipped with Romex cable clamps to maintain an EMC connection for the power and control cable
  - Color code for connections to the removable terminal blocks on the HMI block
  - Long cable: Up to 150 m with category C3 EMC filter
- Asynchronous or synchronous drive in open loop for 0.1...500 Hz output frequency
- Special motors: Submersible and tapered rotor motors
- Lower maintenance costs due to drive's ergonomic design:
  - Fans can be replaced in less than 5 minutes
  - No maintenance tool required
  - Limited number of parts
- Embedded Web server:
  - Compatible process elements for easier implementation
  - Direct worldwide access to monitoring and maintenance functions:
    - Reading values
    - Modifying data
    - Configuring parameters
    - Changing controller status

(1) European directive 2002/95/EC Restriction Of Hazardous Substances (applicable in 2016).

(2) European regulation 1907/2006.

(3) According to IEC 62635 Enhanced Guidelines.

### Integrated functions

Altivar Process drives include numerous advanced functions for the more complex applications in each market segment.

#### Advanced functions

- Accurate measurement for monitoring system energy consumption (deviation < 5%)
- Installation energy drift detection
- Embedded Ethernet with direct access to system configuration and monitoring
- Integration of actual pump curves to optimize the system operating point
- Optimized pump monitoring based on actual operating point
- Sensorless estimated flow rate
- Measurements expressed in working units (e.g.: m<sup>3</sup>/h, kWh/m<sup>3</sup>)
- Limitation of overvoltage at the motor terminals
- Contextual access to technical documentation through dynamic QR code
- Continuous and historical real-time measurements with customizable dashboards
- Predictive and preventive maintenance tracking functions (e.g.: Temperatures with PT100/1000 probe, fan monitoring)

#### Power measurement function

Altivar Process drives integrate a power measurement function accurate to within 5%, based on measurement of the motor voltage and the power supply:

- Process drift detection for installation reliability throughout its entire service life
- Useful system performance information provided by comparing the energy used with the energy produced:
- Typical KPIs:
  - Specific energy consumption
  - kWh/m<sup>3</sup>
  - kWh/mWc/m<sup>3</sup>

Users are therefore able to monitor and analyze input power, energy produced, and the KPIs directly from the drive or from the process management system.

#### Safety and monitoring functions

The Safety function STO and numerous monitoring functions are provided to help protect personnel and equipment.

- Advantages:
  - Time savings in terms of installation design and compliance
  - Fewer components and cables
  - Optimum space
  - Simplified setup of machines
  - Improved maintenance performance; limited machine intervention time and installation downtime
  - Optimized conditions for maintenance operations
- Conformity to standards EN/IEC 61508, EN/ISO 13849, IEC 61800-5-2
- Integrated STO (Safe Torque Off) function, SIL3/Plc
- Monitoring function to help protect against premature wear:
  - Monitoring of pumping cycles
  - Start-stop of centrifugal pumps
  - Monitoring of start cycles (number of starts per hour)
  - Monitoring function to help protect against water hammer
  - Cleaning of pumps by reversing the flow (anti-clogging)



Altivar Process DTM in Unity Pro

### Integration

#### Communication protocols

- Modbus/TCP, EtherNet/IP and Modbus serial link:
  - Standard Modbus and Ethernet protocols
  - Connection of configuration and runtime tools
  - Control and supervision of the Altivar Process in process architectures (controllers, SCADA, HMIs, etc.) in industrial networks (read/write data)
  - Diagnostic, supervision and fieldbus management functions
- Ethernet services:
  - SNMP, SNTP, BootP & DHCP, IP v6, cybersecurity services, FDR
  - Open Ethernet topologies

#### Integration of configuration and runtime tools

- FDT/DTM technology (see page 27):
  - Drive configuration, diagnostics, and control using Unity Pro software

#### Configuration and runtime tools

- Graphic display terminal (see page 24):
  - Drive control, adjustment, and configuration
  - Display of current values (motor, I/O, etc.)
  - Configuration storage and download
  - Duplication of one drive configuration on another drive from a PC or another drive
  - Remote use by means of appropriate accessories (see page 25)
  - Connection to several drives using multidrop link components (see page 25)
- Embedded web server (see page 26):
  - Easily accessible from any PC, iPhone, iPad, Android system, and major web browsers
  - Network diagnostics in real time
  - Read/write values
- SoMove software (see page 27):
  - Advanced functions for configuration, setup, and maintenance of Altivar Process drives



Embedded web server login screen

#### Integrated services

Altivar Process drives feature integrated services to achieve optimum time savings:

- Simplified communication:
  - Ethernet port with embedded web server
- Energy management (integrated power measurement)
- Dynamic predictive maintenance
- 3 QR codes:
  - 1: Access to the Customer Care Center application and product data sheet
  - 2: Direct access to description of the functions
  - 3: QR code generated in the event of a detected error (red screen): Identification of the detected error, probable causes and remedies



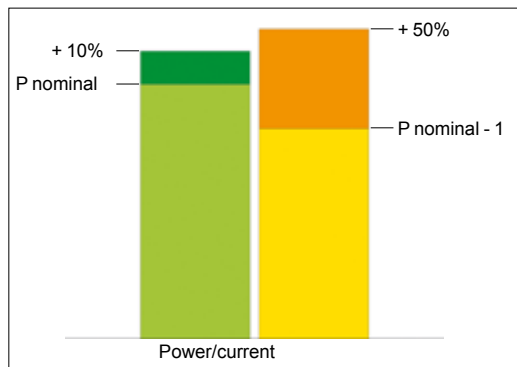
ATV630...N4F, ATV630...M3, ATV650...N4, ATV650...N4E

### Extensive offer

The Altivar Process offer covers motor power ratings from 0.75...315 kW for three-phase voltages between 200...240 V and 380...480 V.

Three-phase power supply	Motor power	Degree of protection	Reference
200...240 V	0.75 kW...75 kW 1...100 HP	IP 21 UL type 1	ATV630U07M3...D75M3
380...480 V	0.75 kW...160 kW 1...250 HP	IP 21 UL type 1	ATV630U07N4...C16N4
		IP 55	ATV650U07N4...D90N4
		IP 55	ATV650U07N4E...D90N4E (1)
380...440 V	110 kW...315 kW	IP 21	ATV630C11N4F...C31N4F
		IP 54	ATV650C11N4F...C31N4F

(1) Integrated disconnect switch.



Normal duty and Heavy duty modes

Altivar Process variable speed drives are designed for use in two operating modes that can optimize the drive nominal rating according to the system constraints.

These two modes are:

- Normal duty (ND): Dedicated mode for applications requiring a slight overload (up to 110%) with a motor power no higher than the drive nominal power
- Heavy duty (HD): Dedicated mode for applications requiring a significant overload (up to 150%) with a motor power no higher than the drive nominal power derated by one rating



### Accessories and options

Altivar Process drives are designed to take numerous accessories and options to increase their functionality and also their capacity for integration and adaptation.

#### Accessories

- Drive:
- Fan kit (see page 21)
- Graphic display terminal:
- Remote mounting kit for mounting on enclosure door (see page 25)
- Multidrop connection accessories for connecting several drives to the RJ45 terminal port (see page 25)

#### Options

- Modules (see page 32):
- I/O expansion:
  - 2 analog inputs
  - 6 digital inputs
  - 2 digital outputs
- With relay output:
  - 3 NO contacts
- Communication:
  - EtherNet/IP and Modbus TCP Dual port
  - CANopen bus: RJ45 daisy chain, SUB-D, 5-way screw terminals
  - PROFINET bus
  - Profibus DP V1 bus
  - DeviceNet bus
- Passive filters (see page 42)
- Additional EMC input filters for reducing conducted emissions on the line (see page 44)
- Output filters:
  - dv/dt filters (see page 46)
  - Sinus filters (see page 47)

#### Motor starters

Schneider Electric offers combinations of circuit breakers and contactors to be able to use Altivar Process drives in optimum conditions (see page 52).

# Variable speed drives

## Altivar Process Drive Systems



ATV660C31Q4X1

### Engineered Drive Systems

Altivar Process Drive Systems offer extensive flexibility for customers from different segments and for various applications.

Depending on customer requirements, several solutions are available.

### Light engineered to order (Light ETO)

In the Light ETO variant, Altivar Process Drive Systems can be adapted to customer requirements easily and quickly via predefined options.

Thanks to its predefined options, the Light ETO variant allows the minimum delivery time for individually adapted enclosures, ready to connect.

The available options are:

- Increased IP 54 protection degree
- Enclosure plinth for basic device
- Additional enclosure allowing cabling from the top or from the bottom
- Enclosure lighting, heating
- "Local/remote" key switch
- Ethernet port on front door
- Digital and analog I/O modules and relay output modules
- Communication modules for various fieldbus systems
- STO - SIL 3 Stop category 0 or 1 emergency stop
- Front display module (FDM)
- Indicator lights on front door
- Motor/bearing temperature monitoring
- dv/dt filters for long motor cables
- Motor heating
- Circuit breaker
- Undervoltage coil for circuit breaker
- Motor for circuit breaker
- Automated mains disconnection
- Setting for 415 V + 10%
- Safety labels in the local language

### Engineered to order (ETO)

The ETO variant offers, in addition to the predefined options, the possibility of implementing customer-specific adaptations in Drive Systems.

The following options are available:

- Modified wiring colors
- Remote monitoring
- Different ranges of supply voltages
- Multi-pulse supply (12-pulse)
- Design without a main switch
- Increased short-circuit strength up to 100 kA
- Air intake from the back
- Other enclosure colors
- Customized documentation and labeling
- Design for IT mains
- Motor contactor
- Seaworthy packaging



Engineered Drive System based on the  
ATV660C50Q4X1 drive



Full ETO Drive System

### Engineered Drive Systems (continued)

#### Full engineered to order (Full ETO)

With the Full ETO variant it is possible to design bespoke system solutions for the customer.

Typical design variations are:

- Multi-drive systems (several frequency inverters in the same enclosure)
- Other cooling systems
- Other enclosure types
- Other dimensions
- Etc.

For further information, please consult our Customer Care Center.

# Variable speed drives

Altivar Process

Three-phase supply voltage: 200...240 V 50/60 Hz



ATV630D11M3



ATV630D15M3



ATV630D30M3



ATV630D75M3

200...240 V IP 21/UL Type 1 drives - Wall mounting (1)										
Motor	Line supply					Altivar Process				
	Power indicated on rating plate (2)		Line current (3)		Apparent power	Maximum prospective line Isc	Maximum continuous current (2)	Max. transient current for 60 s	Reference (1)	Weight
	kW	HP	200 V	240 V	240 V					
ND:	Normal duty (4)									
HD:	Heavy duty (5)									
	kW	HP	A	A	kVA	kA	A	A		kg/lb
<b>THDI ≤ 44% at 100% load in Normal duty (4)</b>										
ND	0.75	1	3	2.6	1.1	50	4.6	5.1	ATV630U07M3	4.300/9.480
HD	0.37	0.5	1.7	1.5	0.6	50	3.3	5		
ND	1.5	2	5.9	5	2.1	50	8	8.8	ATV630U15M3	4.300/9.480
HD	0.75	1	3.3	3	1.2	50	4.6	6.9		
ND	2.2	3	8.4	7.2	3	50	11.2	12.3	ATV630U22M3	4.500/9.921
HD	1.5	2	6	5.3	2.2	50	8	12		
ND	3	-	11.5	9.9	4.1	50	13.7	15.1	ATV630U30M3	4.500/9.921
HD	2.2	3	8.7	7.6	3.2	50	11.2	16.8		
ND	4	5	15.1	12.9	5.4	50	18.7	20.6	ATV630U40M3	4.600/10.141
HD	3	-	11.7	10.2	4.2	50	13.7	20.6		
ND	5.5	7.5	20.2	17.1	7.1	50	25.4	27.9	ATV630U55M3	7.700/16.976
HD	4	5	15.1	13	5.4	50	18.7	28.1		
ND	7.5	10	27.1	22.8	9.5	50	32.7	36	ATV630U75M3	13.800/30.424
HD	5.5	7.5	20.2	17.1	7.1	50	25.4	38.1		
ND	11	15	39.3	32.9	13.7	50	46.8	51.5	ATV630D11M3	13.800/30.424
HD	7.5	10	27.2	23.1	9.6	50	32.7	49.1		
ND	15	20	52.6	45.5	18.9	50	63.4	69.7	ATV630D15M3	27.300/60.186
HD	11	15	40.1	34.3	14.3	50	46.8	70.2		
ND	18.5	25	66.7	54.5	22.7	50	78.4	86.2	ATV630D18M3	27.300/60.186
HD	15	20	53.1	44.9	18.7	50	63.4	95.1		
ND	22	30	76.0	64.3	26.7	50	92.6	101.9	ATV630D22M3	27.300/60.186
HD	18.5	25	64.8	54.5	22.7	50	78.4	117.6		
ND	30	40	104.7	88.6	36.8	50	123	135.3	ATV630D30M3	56.600/124.781
HD	22	30	78.3	67.1	27.9	50	92.6	138.9		
ND	37	50	128.0	107.8	44.8	50	149	163.9	ATV630D37M3	56.600/124.781
HD	30	40	104.7	88.6	36.8	50	123	184.5		
ND	45	60	155.1	130.4	54.2	50	176	193.6	ATV630D45M3	56.600/124.781
HD	37	50	128.5	108.5	45.1	50	149	223.5		
ND	55	75	189	161	61.1	50	211	232.1	ATV630D55M3 (6)	84.000/185.188
HD	45	60	156	134	50	50	176	264		
ND	75	100	256	215	83.7	50	282	310.2	ATV630D75M3 (6)	84.000/185.188
HD	55	75	189	161	61.1	50	211	316.5		

(1) Altivar Process **ATV630U07M3...D75M3** drives have been designed without an EMC filter. An additional filter can be added to help meet more stringent requirements and reduce electromagnetic emissions.

(2) These values are given for a nominal switching frequency of 4 kHz up to **ATV630D22M3** or 2.5 kHz for **ATV630D30M3...D75M3**, for use in continuous operation.

The switching frequency is adjustable from 2...12 kHz for all ratings.

Above 2.5 or 4 kHz (depending on the rating), the drive will automatically reduce the switching frequency in the event of an excessive temperature rise. For continuous operation above the nominal switching frequency, derate the nominal drive current, see derating curves on our website [www.schneider-electric.com](http://www.schneider-electric.com).

(3) Typical value for the indicated motor power and for the maximum prospective line Isc.

(4) Values given for applications requiring a slight overload (up to 110%).

(5) Values given for applications requiring a significant overload (up to 150%).

(6) Product supplied as IP 00 for mounting in an enclosure. For IP 21 wall mounting, order separately the kit for IP 21/UL Type 1 conformity VW3A9704.

**Note:** Consult the summary tables of possible drive, option and accessory combinations (see page 28).



ATV630D15N4



ATV630D30N4



ATV630D55N4

## 380...480 V IP 21/UL Type 1 drives with category C2 integrated EMC filter - Wall mounting

Motor		Line supply				Altivar Process				Reference	Weight
Power indicated on rating plate (1) (> 45 kW, see page 20)		Line current (2)		Apparent power	Maximum prospective line Isc	Maximum continuous current (1)	Max. transient current for 60 s				
		380 V	480 V	380 V							
ND:	Normal duty (3)										
HD:	Heavy duty (4)										
	kW	HP	A	A	kVA	kA	A	A		kg/lb	
<b>THDI ≤ 44% at 100% load in Normal duty (3)</b>											
ND	0.75	1	1.5	1.3	1.1	50	2.2	2.4	ATV630U07N4	4.500/ 9.921	
HD	0.37	0.5	0.9	0.8	0.7	50	1.5	2.3			
ND	1.5	2	3	2.6	2.2	50	4	4.4	ATV630U15N4	4.500/ 9.921	
HD	0.75	1	1.7	1.5	1.2	50	2.2	3.3			
ND	2.2	3	4.3	3.8	3.2	50	5.6	6.2	ATV630U22N4	4.500/ 9.921	
HD	1.5	2	3.1	2.9	2.4	50	4	6			
ND	3	–	5.8	5.1	4.2	50	7.2	7.9	ATV630U30N4	4.600/ 10.141	
HD	2.2	3	4.5	4	3.3	50	5.6	8.4			
ND	4	5	7.6	6.7	5.6	50	9.3	10.2	ATV630U40N4	4.600/ 10.141	
HD	3	–	6	5.4	4.5	50	7.2	10.8			
ND	5.5	7.5	10.4	9.1	7.6	50	12.7	14	ATV630U55N4	4.700/ 10.362	
HD	4	5	8	7.2	6.0	50	9.3	14			
ND	7.5	10	13.8	11.9	9.9	50	16.5	18.2	ATV630U75N4	7.700/ 16.976	
HD	5.5	7.5	10.5	9.2	7.6	50	12.7	19.1			
ND	11	15	19.8	17	14.1	50	23.5	25.9	ATV630D11N4	7.700/ 16.976	
HD	7.5	10	14.1	12.5	10.4	50	16.5	24.8			
ND	15	20	27	23.3	19.4	50	31.7	34.9	ATV630D15N4	13.600/ 29.983	
HD	11	15	20.6	18.1	15.0	50	23.5	35.3			
ND	18.5	25	33.4	28.9	24	50	39.2	43.1	ATV630D18N4	14.200/ 31.306	
HD	15	20	27.7	24.4	20.3	50	31.7	47.6			
ND	22	30	39.6	34.4	28.6	50	46.3	50.9	ATV630D22N4	14.300/ 31.526	
HD	18.5	25	34.1	29.9	24.9	50	39.2	58.8			
ND	30	40	53.3	45.9	38.2	50	61.5	67.7	ATV630D30N4	28.000/ 61.729	
HD	22	30	40.5	35.8	29.8	50	46.3	69.5			
ND	37	50	66.2	57.3	47.6	50	74.5	82	ATV630D37N4	28.200/ 62.170	
HD	30	40	54.8	48.3	40.2	50	61.5	92.3			
ND	45	60	79.8	69.1	57.4	50	88	96.8	ATV630D45N4	28.700/ 63.273	
HD	37	50	67.1	59.0	49.1	50	74.5	111.8			

(1) These values are given for a nominal switching frequency of 4 kHz for use in continuous operation.

The switching frequency is adjustable from 2...12 kHz for all ratings.

Above 4 kHz, the drive will automatically reduce the switching frequency in the event of an excessive temperature rise. For continuous operation above the nominal switching frequency, derate the nominal drive current, see derating curves on our website [www.schneider-electric.com](http://www.schneider-electric.com).

(2) Typical value for the indicated motor power and for the maximum prospective line Isc.

(3) Values given for applications requiring a slight overload (up to 110%).

(4) Values given for applications requiring a significant overload (up to 150%).

**Note:** Consult the summary tables of possible drive, option and accessory combinations (see page 28).

# Variable speed drives

Altivar Process

Three-phase supply voltage: 380...480 V, 380...440 V  
50/60 Hz



ATV630D55N4

380...480 V IP 21/UL Type 1 drives with category C3 integrated EMC filter - Wall mounting										
Motor	Line supply					Altivar Process		Reference	Weight	
Power indicated on rating plate (1) ( <i>&lt; 55 kW, see page 19</i> )	Line current (2)		Apparent power	Maximum prospective line I <sub>sc</sub>	Maximum continuous current (1)	Max. transient current for 60 s				
	380 V	480 V								
ND: Normal duty (3)										
HD: Heavy duty (4)										
	kW	HP	A	A	kVA	kA	A	A	kg/lb	
<b>THDI ≤ 44% at 100% load in Normal duty (3)</b>										
ND	55	75	97.2	84.2	70	50	106	116.6	ATV630D55N4	56.500/124.561
HD	45	60	81.4	71.8	59.7	50	88	132		
ND	75	100	131.3	112.7	93.7	50	145	159.5	ATV630D75N4	58.000/127.868
HD	55	75	98.9	86.9	72.2	50	106	159		
ND	90	125	156.2	135.8	112.9	50	173	190.3	ATV630D90N4	58.500/128.970
HD	75	100	134.3	118.1	98.2	50	145	217.5		
ND	110	150	201	165	121.8	50	211	232.1	ATV630C11N4 (5)	85.000/187.393
HD	90	125	170	143	102.6	50	173	259.5		
ND	132	200	237	213	161.4	50	250	275	ATV630C13N4 (5)	85.000/187.393
HD	110	150	201	165	121.8	50	211	270		
ND	160	250	284	262	201.3	50	302	332.2	ATV630C16N4 (5)	85.000/187.393
HD	132	200	237	213	161.4	50	250	360		



ATV630C16N4F

380...440 V IP 21 drives with category C3 integrated EMC filter - Floor standing (6)										
Motor	Line supply					Altivar Process		Reference	Weight	
Power indicated on rating plate (1)	Line current (2)		Apparent power	Maximum prospective line I <sub>sc</sub>	Maximum continuous current (1)	Max. transient current for 60 s				
	380 V	400 V								
ND: Normal duty (3)										
HD: Heavy duty (4)										
	kW	HP	A	A	kVA	kA	A	A	kg/lb	
<b>THDI ≤ 44% at 100% load in Normal duty (3)</b>										
ND	110	–	207	195	135	50	211	232	ATV630C11N4F	300.000/661.386
HD	90	–	174	164	113	50	173	259		
ND	132	–	250	232	161	50	250	275	ATV630C13N4F	300.000/661.386
HD	110	–	207	197	136	50	211	316		
ND	160	–	291	277	192	50	302	332	ATV630C16N4F	300.000/661.386
HD	132	–	244	232	161	50	250	375		
ND	200	–	369	349	242	50	370	407	ATV630C20N4F	400.000/881.848
HD	160	–	302	286	198	50	302	453		
ND	250	–	453	432	299	50	477	524	ATV630C25N4F	400.000/881.848
HD	200	–	369	353	244	50	370	555		
ND	315	–	566	538	373	50	590	649	ATV630C31N4F	400.000/881.848
HD	250	–	453	432	299	50	477	715		

- (1) These values are given for a nominal switching frequency of 2.5 kHz for use in continuous operation. The switching frequency is adjustable from 2...8 kHz for all ratings. Above 2.5 kHz, the drive will automatically reduce the switching frequency in the event of an excessive temperature rise. For continuous operation above the nominal switching frequency, derate the nominal drive current, see derating curves on our website [www.schneider-electric.com](http://www.schneider-electric.com).
- (2) Typical value for the indicated motor power and for the maximum prospective line I<sub>sc</sub>.
- (3) Values given for applications requiring a slight overload (up to 110%).
- (4) Values given for applications requiring a significant overload (up to 150%).
- (5) Product supplied as IP 00 for mounting in an enclosure. For IP 21/UL Type 1 wall mounting, order separately the kit for IP 21/UL Type 1 conformity VW3A9704.
- (6) Integrated motor chokes allowing a shielded motor cable length up to 300 m/984 ft in category C3 and an unshielded cable length up to 450 m/1476 ft in category C4.

**Note:** Consult the summary tables of possible drive, option and accessory combinations (see page 28).





ATV650D15N4



ATV650D30N4



ATV650D55N4

380...480 V IP 55 drives with category C2 or C3 integrated EMC filter - Wall mounting <sup>(1)</sup>										
Motor	Line supply					Altivar Process				
Power indicated on rating plate <sup>(2)</sup>	Line current <sup>(3)</sup>		Apparent power	Maximum prospective line Isc	Maximum continuous current <sup>(2)</sup>	Max. transient current for 60 s	Reference <sup>(6)</sup>	Weight		
	380 V	480 V							380 V	A
ND: Normal duty <sup>(4)</sup>										
HD: Heavy duty <sup>(5)</sup>										
kW	HP	A	A	kVA	kA	A	A			
<b>THDI ≤ 44% at 100% load in Normal duty <sup>(4)</sup></b>										
ND	0.75	1	1.5	1.3	1.1	50	2.2	2.4	ATV650U07N4	10.500/23.149
HD	0.37	0.5	0.9	0.8	0.7	50	1.5	2.3		
ND	1.5	2	3	2.6	2.2	50	4	4.4	ATV650U15N4	10.500/23.149
HD	0.75	1	1.7	1.5	1.2	50	2.2	3.3		
ND	2.2	3	4.3	3.8	3.2	50	5.6	6.2	ATV650U22N4	10.500/23.149
HD	1.5	2	3.1	2.9	2.4	50	4	6		
ND	3	–	5.8	5.1	4.2	50	7.2	7.9	ATV650U30N4	10.600/23.369
HD	2.2	3	4.5	4	3.3	50	5.6	8.4		
ND	4	5	7.6	6.7	5.6	50	9.3	10.2	ATV650U40N4	10.600/23.369
HD	3	–	6	5.4	4.5	50	7.2	10.8		
ND	5.5	7.5	10.4	9.1	7.6	50	12.7	14	ATV650U55N4	10.700/23.589
HD	4	5	8	7.2	6.0	50	9.3	14		
ND	7.5	10	13.8	11.9	9.9	50	16.5	18.2	ATV650U75N4	13.700/30.203
HD	5.5	7.5	10.5	9.2	7.6	50	12.7	19.1		
ND	11	15	19.8	17	14.1	50	23.5	25.9	ATV650D11N4	13.700/30.203
HD	7.5	10	14.1	12.5	10.4	50	16.5	24.8		
ND	15	20	27	23.3	19.4	50	31.7	34.9	ATV650D15N4	19.600/43.211
HD	11	15	20.6	18.1	15	50	23.5	35.3		
ND	18.5	25	33.4	28.9	24	50	39.2	43.1	ATV650D18N4	20.600/45.415
HD	15	20	27.7	24.4	20.3	50	31.7	47.6		
ND	22	30	39.6	34.4	28.6	50	46.3	50.9	ATV650D22N4	20.600/45.415
HD	18.5	25	34.1	29.9	24.9	50	39.2	58.8		
ND	30	40	53.3	45.9	38.2	50	61.5	67.7	ATV650D30N4	50.000/110.231
HD	22	30	40.5	35.8	29.8	50	46.3	69.5		
ND	37	50	66.2	57.3	47.6	50	74.5	82	ATV650D37N4	50.000/110.231
HD	30	40	54.8	48.3	40.2	50	61.5	92.3		
ND	45	60	79.8	69.1	57.4	50	88	96.8	ATV650D45N4	50.000/110.231
HD	37	50	67.1	59	49.1	50	74.5	111.8		
ND	55	75	97.2	84.2	70	50	106	116.6	ATV650D55N4	87.000/191.802
HD	45	60	81.4	71.8	59.7	50	88	152		
ND	75	100	131.3	112.7	93.7	50	145	159.5	ATV650D75N4	87.000/191.802
HD	55	75	98.9	86.9	72.2	50	106	159		
ND	90	125	156.2	135.8	112.9	50	173	190.3	ATV650D90N4	87.000/191.802
HD	75	100	134.3	118.1	98.2	50	145	217.5		

(1) Category C2 EMC filter for ATV650U07N4...D45N4. Category C3 EMC filter above ATV650D45N4.

(2) These values are given for a nominal switching frequency of 4 kHz adjustable from 2...12 kHz up to ATV650D45N4 or 2.5 kHz adjustable from 2...8 kHz for ATV650D55N4...D90N4, for use in continuous operation.

Above 2.5 or 4 kHz (depending on the rating), the drive will automatically reduce the switching frequency in the event of an excessive temperature rise. For continuous operation above the nominal switching frequency, derate the nominal drive current, see derating curves on our website [www.schneider-electric.com](http://www.schneider-electric.com).

(3) Typical value for the indicated motor power and for the maximum prospective line Isc.

(4) Values given for applications requiring a slight overload (up to 110%).

(5) Values given for applications requiring a significant overload (up to 150%).

(6) Supplied with cable gland.

**Note:** Consult the summary tables of possible drive, option and accessory combinations (see page 28).

# Variable speed drives

Altivar Process

Three-phase supply voltage: 380...480 V 50/60 Hz



ATV650D15N4E



ATV650D30N4E



ATV650D55N4E

380...480 V IP 55 drives with Vario disconnect switch and category C2 or C3 integrated EMC filter - Wall mounting (1)										
Motor Power indicated on rating plate (2)	Line supply						Altivar Process		Reference (6)	Weight
	Line current (3)		Apparent power	Maximum prospective line Isc	Maximum continuous current (2)	Max. transient current for 60 s				
	380 V	480 V					380 V	A		
ND: Normal duty (4)										
HD: Heavy duty (5)	kW	HP	A	A	kVA	kA	A	A	kg/lb	
<b>THDI ≤ 44% at 100% load in Normal duty (4)</b>										
ND	0.75	1	1.5	1.3	1.1	50	2.2	2.4	ATV650U07N4E	10.500/ 23.149
HD	0.37	0.5	0.9	0.8	0.7	50	1.5	2.3		
ND	1.5	2	3	2.6	2.2	50	4	4.4	ATV650U15N4E	10.500/ 23.149
HD	0.75	1	1.7	1.5	1.2	50	2.2	3.3		
ND	2.2	3	4.3	3.8	3.2	50	5.6	6.2	ATV650U22N4E	10.500/ 23.149
HD	1.5	2	3.1	2.9	2.4	50	4	6		
ND	3	–	5.8	5.1	4.2	50	7.2	7.9	ATV650U30N4E	10.600/ 23.369
HD	2.2	3	4.5	4	3.3	50	5.6	8.4		
ND	4	5	7.6	6.7	5.6	50	9.3	10.2	ATV650U40N4E	10.600/ 23.369
HD	3	–	6	5.4	4.5	50	7.2	10.8		
ND	5.5	7.5	10.4	9.1	7.6	50	12.7	14	ATV650U55N4E	10.700/ 23.589
HD	4	5	8	7.2	6.0	50	9.3	14		
ND	7.5	10	13.8	11.9	9.9	50	16.5	18.2	ATV650U75N4E	13.700/ 30.203
HD	5.5	7.5	10.5	9.2	7.6	50	12.7	19.1		
ND	11	15	19.8	17	14.1	50	23.5	25.9	ATV650D11N4E	13.700/ 30.203
HD	7.5	10	14.1	12.5	10.4	50	16.5	24.8		
ND	15	20	27	23.3	19.4	50	31.7	34.9	ATV650D15N4E	19.600/ 43.211
HD	11	15	20.6	18.1	15	50	23.5	35.3		
ND	18.5	25	33.4	28.9	24	50	39.2	43.1	ATV650D18N4E	20.600/ 45.415
HD	15	20	27.7	24.4	20.3	50	31.7	47.6		
ND	22	30	39.6	34.4	28.6	50	46.3	50.9	ATV650D22N4E	20.600/ 45.415
HD	18.5	25	34.1	29.9	24.9	50	39.2	58.8		
ND	30	40	53.3	45.9	38.2	50	61.5	67.7	ATV650D30N4E	50.000/ 110.231
HD	22	30	40.5	35.8	29.8	50	46.3	69.5		
ND	37	50	66.2	57.3	47.6	50	74.5	82	ATV650D37N4E	50.000/ 110.231
HD	30	40	54.8	48.3	40.2	50	61.5	92.3		
ND	45	60	79.8	69.1	57.4	50	88	96.8	ATV650D45N4E	50.000/ 110.231
HD	37	50	67.1	59	49.1	50	74.5	111.8		
ND	55	75	97.2	84.2	70	50	106	116.6	ATV650D55N4E	87.000/ 191.802
HD	45	60	81.4	71.8	59.7	50	88	132		
ND	75	100	131.3	112.7	93.7	50	145	159.5	ATV650D75N4E	87.000/ 191.802
HD	55	75	98.9	86.9	72.2	50	106	159		
ND	90	125	156.2	135.8	112.9	50	173	190.3	ATV650D90N4E	87.000/ 191.802
HD	75	100	134.3	118.1	98.2	50	145	217.5		

(1) Category C2 EMC filter for ATV650U07N4E...D45N4E. Category C3 EMC filter above ATV650D45N4E.

(2) These values are given for a nominal switching frequency of 4 kHz adjustable from 2...12 kHz up to **ATV650D45N4E** or 2.5 kHz adjustable from 2...8 kHz for **ATV650D55N4E...D90N4E**, for use in continuous operation.

Above 2.5 or 4 kHz (depending on the rating), the drive will automatically reduce the switching frequency in the event of an excessive temperature rise. For continuous operation above the nominal switching frequency, derate the nominal drive current, see derating curves on our website [www.schneider-electric.com](http://www.schneider-electric.com).

(3) Typical value for the indicated motor power and for the maximum prospective line Isc.

(4) Values given for applications requiring a slight overload (up to 110%).

(5) Values given for applications requiring a significant overload (up to 150%).

(6) Supplied with cable gland.

**Note:** Consult the summary tables of possible drive, option and accessory combinations (see page 28).

## Variable speed drives

Altivar Process

Three-phase supply voltage: 380...440 V 50/60 Hz



ATV650C31N4F

## 380...440 V IP 54 drives with switch and category C3 integrated EMC filter - Floor standing (1)

Motor	Line supply				Altivar Process		Reference	Weight		
	Power indicated on rating plate	Line current (2)		Apparent power	Maximum prospective line Isc	Maximum continuous current			Max. transient current for 60 s	
380 V		400 V	380 V							
ND: Normal duty (3)										
HD: Heavy duty (4)										
	kW	HP	A	A	kVA	kA	A	A	kg/lb	
<b>THDI ≤ 44% at 100% load in Normal duty (3)</b>										
ND	110	–	207	195	135	50	211	232	ATV650C11N4F	310.000/ 683.433
HD	90	–	174	164	113	50	173	259		
ND	132	–	250	232	161	50	250	275	ATV650C13N4F	310.000/ 683.433
HD	110	–	207	197	136	50	211	316		
ND	160	–	291	277	192	50	302	332	ATV650C16N4F	310.000/ 683.433
HD	132	–	244	232	161	50	250	375		
ND	200	–	369	349	242	50	370	407	ATV650C20N4F	420.000/ 925.941
HD	160	–	302	286	198	50	302	453		
ND	250	–	453	432	299	50	477	524	ATV650C25N4F	420.000/ 925.941
HD	200	–	369	353	244	50	370	555		
ND	315	–	566	538	373	50	590	649	ATV650C31N4F	420.000/ 925.941
HD	250	–	453	432	299	50	477	715		

## Replacement parts

Description	For drive	Reference	Weight kg/lb
<b>Fan kit for IP 21 drives</b>			
Fan, bracket, instruction sheets	ATV630U07M3...U40M3, ATV630U07N4...U55N4	VX5VPS1001	–
	ATV630U55M3, ATV630U75N4...D11N4	VX5VPS2001	–
	ATV630U75M3...D11M3, ATV630D15N4...D22N4	VX5VPS3001	–
	ATV630D15M3...D22M3, ATV630D30N4...D45N4	VX5VPS4001	–
	ATV630D30M3...D45M3, ATV630D55N4...D90N4	VX5VPS5001	–
	ATV630D55M3...D75M3, ATV630C11N4...C16N4	VX5VPS6001	–
	ATV630C11N4F...C31N4F	VX5VPM001 (5)	–
	ATV630C11N4F...C31N4F	VX5VPM002 (6)	–
<b>Fan kit for IP 55 drives</b>			
Fan, bracket, instruction sheets	ATV650U07N4...D22N4, ATV650U07N4E...D22N4E	VX5VP50A001	–
	ATV650D30N4...D90N4, ATV650D30N4E...D90N4E	VX5VP50BC001	–
<b>Fan kit for IP 54 drives</b>			
Fan, bracket, instruction sheets	ATV650C11N4F...C31N4F	VX5VPM001 (5)	–
	ATV650C11N4F...C31N4F	VX5VPM002 (6)	–

## Accessories

Description	For drive	Reference	Weight kg/lb
Flange-mounting kit for separate air flow (7)	ATV630U07M3...U40M3, ATV630U07N4...U55N4	NSYPTDS1	–
	ATV630U55M3, ATV630U75N4...D11N4	NSYPTDS2	–
	ATV630U75M3...D11M3, ATV630D15N4...D22N4	NSYPTDS3	–
	ATV630D15M3...D22M3, ATV630D30N4...D45N4	NSYPTDS4	–
	ATV630D30M3...D45M3, ATV630D55N4...D90N4	NSYPTDS5	–
Wall-mounting kit	ATV630U07M3...D11M3, ATV630U07N4...D22N4	NSYAEFPFPTD	–
Kit for IP 21/UL Type 1 conformity	ATV630D55M3...D75M3, ATV630C11N4...C16N4	VW3A9704	–

(1) Integrated motor chokes allowing a shielded motor cable length up to 300 m/984 ft in category C3 and an unshielded cable length up to 450 m/1476 ft in category C4.

(2) Typical value for the indicated motor power and for the maximum prospective line Isc.

(3) Values given for applications requiring a slight overload (up to 110%).

(4) Values given for applications requiring a significant overload (up to 150%).

(5) VX5VPM001: power fan for IP 21 and IP 54 floor standing drives.

(6) VX5VPM002: door fan for IP 21 and IP 54 floor standing drives.

(7) RUE-2192 patented system.

Note: Consult the summary tables of possible drive, option and accessory combinations (see page 28).



Graphic display terminal (example shows dynamic pump operation in relation to its optimum operation)



Detected fault: The screen's red backlight is activated automatically



Embedded dynamic QR codes for contextual, instantaneous access to online help



Scanning the QR code from a smartphone or tablet



Instant access to online help

### Graphic display terminal (supplied with the drive)

This terminal can be:

- Connected and mounted on the front of the drive
- Connected and mounted on an enclosure door using a remote mounting accessory
- Connected to a PC to exchange files via a Mini USB/USB connection (1)
- Connected to several drives in multidrop mode (see page 25)

This terminal is used to:

- Control, adjust, and configure the drive
- Display current values (motor, I/O, and process data)
- Display graphic dashboards such as the energy consumption monitoring dashboard
- Store and download configurations (several configuration files can be stored in the 16 MB memory)
- Duplicate the configuration of one powered-up drive on another powered-up drive
- Copy configurations from a PC or drive and duplicate them on another drive (the drives must be powered on for the duration of the duplication operations)

Other characteristics:

- 24 integrated languages (complete alphabets) covering the majority of countries around the world (other languages can be added; please consult our website [www.schneider-electric.com](http://www.schneider-electric.com))
- 2-color backlit display (white and red); if an error is detected, the red backlight is activated automatically (function can be disabled)
- Operating range: -15...50 °C/+5...122 °F
- Degree of protection: IP 65
- Trend curves: Graphic display of changes over time in monitoring variables, energy data, and process data
- Graphic display of a pump's dynamic operation in relation to its optimum operation
- Embedded dynamic QR codes for contextual, instantaneous access to online help (diagnostics and settings, etc.) using a smartphone or tablet
- Real-time clock with 10-year backup battery providing data acquisition and event timestamping functions even when the drive is stopped

### Description

Display:

- 8 lines, 240 x 160 pixels
- Displays bar charts, gauges, and trend charts
- 4 function keys to facilitate navigation and provide contextual links for enabling functions
- "STOP/RESET" button: Local control of motor stop command/clearing detected faults
- "RUN" button: Local control of motor run command
- Navigation buttons:
  - OK button: Saves the current value (ENT)
  - Turn ±: Increases or decreases the value, goes to the next or previous line
  - "ESC" button: Aborts a value, parameter, or menu to return to the previous selection
  - Home: Root menu
  - Information (i): Contextual help

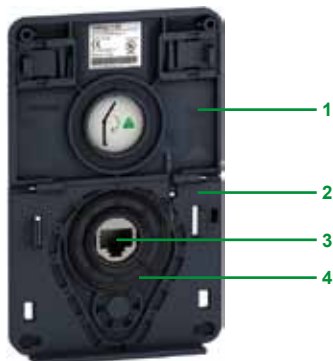
### References

Description	Reference	Weight kg/ lb
Graphic display terminal:	VW3A1111	0.200/ 0.441

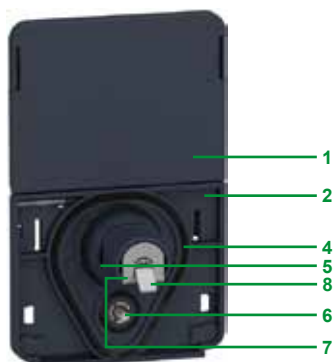
### Communication accessory

Description	Reference	Weight kg/ lb
IP 20 WiFi dongle remote mounting of the Ethernet port for connection of WiFi equipment (PC, tablet, smartphone, etc.) powered by internal rechargeable battery	TCSEGWB13FA0	0.350/ 0.772

(1) Graphic display terminal used only as a handheld terminal.



Remote mounting kit for mounting graphic display terminal on enclosure door (front panel)



Remote mounting kit for graphic display terminal (rear panel)

### Accessories for graphic display terminal

- Remote mounting kit for mounting on enclosure door with IP 65 degree of protection as standard

The kit comprises:

- Tightening tool (also sold separately under the reference ZB5AZ905)

- Cover plate to maintain IP 65 protection when there is no terminal connected
- Mounting plate
- RJ45 port for the graphic display terminal
- Seal
- Fixing nut
- Anti-rotation pin
- RJ45 port for connecting the remote-mounting cordset (10 m/32.81 ft maximum)  
Cordsets should be ordered separately depending on the length required
- Grounding connector

Drilling a hole with a standard Ø 22 tool, as used for a pushbutton, allows the unit to be mounted without needing a cut-out in the enclosure (Ø 22.5 mm/Ø 0.89 in. drill hole).

### References

Description	Length m/ ft	IP	Reference	Weight kg/ lb
<b>Remote mounting kit</b> Order with remote-mounting cordset VW3A1104R●●●	–	65	<b>VW3A1112</b>	–
<b>Tightening tool</b> for remote mounting kit	–	–	<b>ZB5AZ905</b>	0.016/ 0.035
<b>Remote-mounting cordset</b> equipped with 2 RJ45 connectors	1/ 3.28 3/ 9.84 5/ 16.40 10/ 32.81	–	<b>VW3A1104R10</b> <b>VW3A1104R30</b> <b>VW3A1104R50</b> <b>VW3A1104R100</b>	0.050/ 0.110 0.150/ 0.331 0.250/ 0.551 0.500/ 1.102
<b>USB/Mini B USB cable</b> for connecting the display terminal to a PC	–	–	<b>TCSXCNAMUM3P</b>	–
<b>IP 65 remote mounting kit for Ethernet port (1)</b> Ø 22 RJ45 female/female adapter with seal	–	65	<b>VW3A1115</b>	0.200/ 0.441

### Multidrop connection accessories

These accessories are used to connect a graphic display terminal to several drives via a multidrop link. This multidrop connection uses the RJ45 terminal port on the front of the drive.

### Connection accessories

Description	Sold in lots of	Unit reference	Weight kg/ lb
<b>Modbus splitter box</b> 10 RJ45 connectors and 1 screw terminal block	–	<b>LU9GC3</b>	0.500/ 1.102
<b>Modbus T-junction boxes</b>	–	<b>VW3A8306TF03</b> <b>VW3A8306TF10</b>	0.190/ 0.419 0.210/ 0.463
<b>Modbus line terminator</b>	For RJ45 connector	R = 120 Ω C = 1 nf	<b>VW3A8306RC</b> 0.010/ 0.022

### Cordsets (equipped with 2 RJ45 connectors)

Used for	Length m/ ft	Reference	Weight kg/ lb
<b>Serial link</b>	0.3/ 0.98	<b>VW3A8306R03</b>	0.025/ 0.055
	1/ 3.28	<b>VW3A8306R10</b>	0.060/ 0.132
	3/ 9.84	<b>VW3A8306R30</b>	0.130/ 0.287

(1) Used to connect a remote PC to the RJ45 port on an IP 21 drive mounted in an enclosure or on a wall. Drill hole with a standard Ø 22 tool, as used for a pushbutton. (Requires a remote-mounting cordset VW3A1104R●●● equipped with 2 RJ45 connectors).

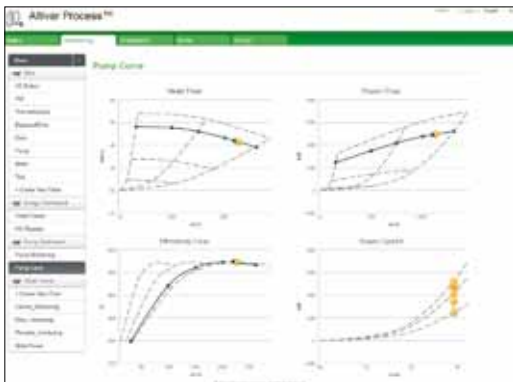




Login screen



Customizable widgets



Pump curves



Energy dashboard

### Web server

#### Presentation

- The Web server can be accessed:
  - For a drive not connected to an Ethernet network
    - Via an Ethernet cable or the Schneider Electric WiFi dongle (the drive then appears as a network device)
  - For a drive connected to an Ethernet network
    - From any point on the network by entering the drive IP address
- The Web server is used for:
  - Commissioning the drive (setting configuration parameters and enabling the main functions)
  - Monitoring energy and process data, as well as drive and motor data
  - Diagnostics (drive status, file transfer, detected error and warning logs)

#### Description

The Web server is structured around 5 tabs.

- “My dashboard” tab:
  - Configurable using a wide choice of widgets; groups all the information and dashboards selected by the user on one page
- “Display” tab:
  - Monitors energy indicators, efficiency, and performance
  - Displays process data such as optimum pump operation
  - Monitors drive parameters and status
  - Shows the I/O state and assignment
- “Diagnostics” tab:
  - Drive status
  - Time and date-stamped warning and detected error logs
  - Network diagnostics
  - Access to drive self-tests
- “Drive” tab:
  - Access to the main drive adjustment parameters with contextual help
- “Setup” tab:
  - Network configuration
  - Access management
  - Transferring and retrieving drive configurations
  - Exporting data acquisition files and logs
  - Customizing pages (colors, logos, etc.)

Other characteristics:

- Ease of connection via the RJ45 port or WiFi connection
- Password-protected authentication (modifiable password; access rights can be configured by administrator)
- No downloads or installation necessary
- Web server can be disabled
- Works in a similar way on PCs, iPhones, iPads, Android systems, and the Major web browsers:
  - Internet Explorer® (version 8 or higher)
  - Google Chrome® (version 11 or higher)
  - Mozilla Firefox® (version 4 or higher)
  - Safari® (version 5.1.7 or higher)



#### DTM

##### Presentation

Using FDT/DTM technology it is possible to configure, control, and diagnose Altivar Process drives directly in Unity Pro and SoMove software by means of the same software brick (DTM).

FDT/DTM technology standardizes the communication interface between field devices and host systems. The DTM contains a uniform structure for managing drive access parameters.



Altivar Process DTM in Unity

##### Specific functions of the Altivar Process DTM

- Offline or online access to drive data
- Drive firmware updates
- Transfer of configuration files from and to the drive
- Customization (dashboard, My Menu, etc.)
- Access to drive parameters and option cards
- Oscilloscope function
- Graphic interface to assist with configuration of the Altivar Process pump functions
- Energy and process dashboards
- Graphic display of system operation and comparison with optimum operation (pump curves)
- Detected error and warning logs (with timestamping)

Advantages of the DTM library in Unity Pro:

- Single tool for configuration, setup, and diagnostics
- Network scan for automatic recognition of network configuration
- Ability to add/remove, copy/paste configuration files from other drives in the same architecture
- Single input point for all parameters shared between the ePAC (programmable controller) and the Altivar Process drive
- Creation of drive profiles for implicit communication with the ePAC as well as dedicated profiles for programs with DFBs (derived function blocks)
- Integration in the fieldbus topology
- Drive configuration is an integral part of the Unity Pro project file (STU) and the archive file (STA)

Advantages of the DTM library in SoMove:

- Drive-oriented software environment
- Wired connection to the Ethernet communication port
- Standard cable (file transfer performance)
- Function block library for Unity Pro
- Display blocks for Vijeo Citect

■ Third-party software and downloads:

The Altivar Process DTM library is a flexible, open, and interactive tool that can be used in a third-party FDT.

DTMs can be downloaded from our website [www.schneider-electric.com](http://www.schneider-electric.com).

#### SoMove software

##### Presentation

SoMove software for PC is used to configure, set up, and maintain Altivar Process drives.

In addition to the functions offered by the Web server, SoMove software features the oscilloscope function for accurate display of data samples, as well as access to multi-drive applications.

The software can be connected to Altivar Process variable speed drives via:

- A Bluetooth® wireless connection with the Bluetooth/Modbus adapter TCSWAAC13FB
- Ethernet Modbus and WiFi connection with the WiFi dongle TCSEGWB13FA0
- Ethernet Modbus TCP connection

For more information on SoMove setup software, please consult our “SoMove: Setup Software” catalog available on our website [www.schneider-electric.com](http://www.schneider-electric.com).



SoMove software

**Table showing possible combinations of options for ATV630...M3, ATV630...N4 and ATV650...N4 drives**

Motor kW HP	Drive	Options												
		Fan kit	Flange-mounting kit	Passive filters (50 Hz)		Passive filters (60 Hz)		EMC filters	IP 21 kit for EMC filter	dv/dt filters	IP 21 kit for dv/dt filter	Sinus filter	IP 21 kit for sinus filter	
				THDI < 10%	THDI < 5%	THDI < 10%	THDI < 5%							
<b>Three-phase supply voltage: 200...240 V 50/60 Hz - IP 21/UL Type 1</b>														
0.75	1	ATV630U07M3	VX5VP50BC001	NSYPTDS1	-	-	-	-	VW3A4701	VW3A47901	VW3A5301	VW3A53902	VW3A5401	VW3A53901
1.5	2	ATV630U15M3	VX5VP50BC001	NSYPTDS1	-	-	-	-	VW3A4701	VW3A47901	VW3A5302	VW3A53902	VW3A5402	VW3A53901
2.2	3	ATV630U22M3	VX5VP50BC001	NSYPTDS1	-	-	-	-	VW3A4702	VW3A47902	VW3A5302	VW3A53902	VW3A5402	VW3A53901
3	-	ATV630U30M3	VX5VP50BC001	NSYPTDS1	-	-	-	-	VW3A4702	VW3A47902	VW3A5302	VW3A53902	VW3A5402	VW3A53901
4	5	ATV630U40M3	VX5VP50BC001	NSYPTDS1	-	-	-	-	VW3A4703	VW3A47903	VW3A5303	VW3A53902	VW3A5403	VW3A53902
5.5	7.5	ATV630U55M3	VX5VPS1001	NSYPTDS2	-	-	-	-	VW3A4703	VW3A47903	VW3A5304	VW3A53903	VW3A5404	VW3A53903
7.5	10	ATV630U75M3	VX5VPS3001	NSYPTDS3	-	-	-	-	VW3A4703	VW3A47903	VW3A5304	VW3A53903	VW3A5404	VW3A53903
11	15	ATV630D11M3	VX5VPS3001	NSYPTDS3	-	-	-	-	VW3A4704	VW3A47904	VW3A5304	VW3A53903	VW3A5404	VW3A53903
15	20	ATV630D15M3	VX5VPS4001	NSYPTDS4	-	-	-	-	VW3A4705	VW3A47905	VW3A5305	VW3A53905	VW3A5405	VW3A53904
18.5	25	ATV630D18M3	VX5VPS4001	NSYPTDS4	-	-	-	-	VW3A4706	VW3A47906	VW3A5305	VW3A53905	VW3A5405	VW3A53904
22	30	ATV630D22M3	VX5VPS4001	NSYPTDS4	-	-	-	-	VW3A4706	VW3A47906	VW3A5305	VW3A53905	VW3A5405	VW3A53904
30	40	ATV630D30M3	VX5VPS5001	NSYPTDS5	-	-	-	-	VW3A4707	VW3A47907	VW3A5306	-	VW3A5406	-
37	50	ATV630D37M3	VX5VPS5001	NSYPTDS5	-	-	-	-	VW3A4707	VW3A47907	VW3A5306	-	VW3A5406	-
45	60	ATV630D45M3	VX5VPS5001	NSYPTDS5	-	-	-	-	VW3A4708	VW3A47908	VW3A5306	-	VW3A5406	-
55	75	ATV630D55M3	VX5VPS6001	-	-	-	-	-	VW3A4709	-	VW3A5307	-	-	-
75	100	ATV630D75M3	VX5VPS6001	-	-	-	-	-	VW3A4710	-	VW3A5307	-	VW3A5407 (2)	-
<b>Three-phase supply voltage: 380...480 V 50/60 Hz - IP 21/UL Type 1</b>														
0.75	1	ATV630U07N4	VX5VP50BC001	NSYPTDS1	VW3A46101	VW3A46120	VW3A46139	VW3A46158	VW3A4701	VW3A47901	VW3A5301	VW3A53902	VW3A5401	VW3A53901
1.5	2	ATV630U15N4	VX5VP50BC001	NSYPTDS1	VW3A46101	VW3A46120	VW3A46139	VW3A46158	VW3A4701	VW3A47901	VW3A5301	VW3A53902	VW3A5401	VW3A53901
2.2	3	ATV630U22N4	VX5VP50BC001	NSYPTDS1	VW3A46101	VW3A46120	VW3A46139	VW3A46158	VW3A4701	VW3A47901	VW3A5301	VW3A53902	VW3A5401	VW3A53901
3	-	ATV630U30N4	VX5VP50BC001	NSYPTDS1	VW3A46101	VW3A46120	VW3A46139	VW3A46158	VW3A4702	VW3A47902	VW3A5302	VW3A53902	VW3A5402	VW3A53901
4	5	ATV630U40N4	VX5VP50BC001	NSYPTDS1	VW3A46102	VW3A46121	VW3A46140	VW3A46159	VW3A4702	VW3A47902	VW3A5302	VW3A53902	VW3A5402	VW3A53901
5.5	7.5	ATV630U55N4	VX5VP50BC001	NSYPTDS1	VW3A46102	VW3A46121	VW3A46140	VW3A46159	VW3A4702	VW3A47902	VW3A5302	VW3A53902	VW3A5402	VW3A53901
7.5	10	ATV630U75N4	VX5VPS1001	NSYPTDS2	VW3A46103	VW3A46122	VW3A46141	VW3A46160	VW3A4703	VW3A47903	VW3A5303	VW3A53902	VW3A5403	VW3A53902
11	15	ATV630D11N4	VX5VPS1001	NSYPTDS2	VW3A46104	VW3A46123	VW3A46142	VW3A46161	VW3A4703	VW3A47903	VW3A5303	VW3A53902	VW3A5403	VW3A53902
15	20	ATV630D15N4	VX5VPS3001	NSYPTDS3	VW3A46105	VW3A46124	VW3A46143	VW3A46162	VW3A4703	VW3A47903	VW3A5304	VW3A53903	VW3A5404	VW3A53903
18.5	25	ATV630D18N4	VX5VPS3001	NSYPTDS3	VW3A46106	VW3A46125	VW3A46144	VW3A46163	VW3A4704	VW3A47904	VW3A5304	VW3A53903	VW3A5404	VW3A53903
22	30	ATV630D22N4	VX5VPS3001	NSYPTDS3	VW3A46107	VW3A46126	VW3A46145	VW3A46164	VW3A4704	VW3A47904	VW3A5304	VW3A53903	VW3A5404	VW3A53903
30	40	ATV630D30N4	VX5VPS4001	NSYPTDS4	VW3A46108	VW3A46127	VW3A46146	VW3A46165	VW3A4705	VW3A47905	VW3A5305	VW3A53905	VW3A5405	VW3A53904
37	50	ATV630D37N4	VX5VPS4001	NSYPTDS4	VW3A46109	VW3A46128	VW3A46147	VW3A46166	VW3A4705	VW3A47905	VW3A5305	VW3A53905	VW3A5405	VW3A53904
45	60	ATV630D45N4	VX5VPS4001	NSYPTDS4	VW3A46110	VW3A46129	VW3A46148	VW3A46167	VW3A4706	VW3A47906	VW3A5305	VW3A53905	VW3A5405	VW3A53904
55	75	ATV630D55N4	VX5VPS5001	NSYPTDS5	VW3A46111	VW3A46130	VW3A46149	VW3A46168	VW3A4707	VW3A47907	VW3A5306	-	VW3A5406	-
75	100	ATV630D75N4	VX5VPS5001	NSYPTDS5	VW3A46112	VW3A46131	VW3A46150	VW3A46169	VW3A4708	VW3A47908	VW3A5306	-	VW3A5406	-
90	125	ATV630D90N4	VX5VPS5001	NSYPTDS5	VW3A46113	VW3A46132	VW3A46151	VW3A46170	VW3A4708	VW3A47908	VW3A5306	-	VW3A5406	-
110	150	ATV630C11N4	VX5VPS6001	-	VW3A46114	VW3A46133	VW3A46152	VW3A46171	VW3A4709	-	VW3A5307	-	-	-
132	200	ATV630C13N4	VX5VPS6001	-	VW3A46115	VW3A46134	VW3A46153	VW3A46172	VW3A4709	-	VW3A5307	-	VW3A5407 (2)	-
160	250	ATV630C16N4	VX5VPS6001	-	VW3A46116	VW3A46135	VW3A46154	VW3A46173	VW3A4710	-	VW3A5307	-	VW3A5407 (2)	-
<b>Three-phase supply voltage: 380...480 V 50/60 Hz - IP 55</b>														
0.75	1	ATV650U07N4	VX5VP50A001	-	VW3A46101 (1)	VW3A46120 (1)	VW3A46139 (1)	VW3A46158 (1)	VW3A4701	-	VW3A5301	-	VW3A5401 (1)	-
1.5	2	ATV650U15N4	VX5VP50A001	-	VW3A46101 (1)	VW3A46120 (1)	VW3A46139 (1)	VW3A46158 (1)	VW3A4701	-	VW3A5301	-	VW3A5401 (1)	-
2.2	3	ATV650U22N4	VX5VP50A001	-	VW3A46101 (1)	VW3A46120 (1)	VW3A46139 (1)	VW3A46158 (1)	VW3A4701	-	VW3A5301	-	VW3A5401 (1)	-
3	-	ATV650U30N4	VX5VP50A001	-	VW3A46101 (1)	VW3A46120 (1)	VW3A46139 (1)	VW3A46158 (1)	VW3A4702	-	VW3A5302	-	VW3A5402 (1)	-
4	5	ATV650U40N4	VX5VP50A001	-	VW3A46102 (1)	VW3A46121 (1)	VW3A46140 (1)	VW3A46159 (1)	VW3A4702	-	VW3A5302	-	VW3A5402 (1)	-
5.5	7.5	ATV650U55N4	VX5VP50A001	-	VW3A46102 (1)	VW3A46121 (1)	VW3A46140 (1)	VW3A46159 (1)	VW3A4702	-	VW3A5302	-	VW3A5402 (1)	-
7.5	10	ATV650U75N4	VX5VP50A001	-	VW3A46103 (1)	VW3A46122 (1)	VW3A46141 (1)	VW3A46160 (1)	VW3A4703	-	VW3A5303	-	VW3A5403 (1)	-
11	15	ATV650D11N4	VX5VP50A001	-	VW3A46104 (1)	VW3A46123 (1)	VW3A46142 (1)	VW3A46161 (1)	VW3A4703	-	VW3A5303	-	VW3A5403 (1)	-
15	20	ATV650D15N4	VX5VP50A001	-	VW3A46105 (1)	VW3A46124 (1)	VW3A46143 (1)	VW3A46162 (1)	VW3A4703	-	VW3A5304	-	VW3A5404 (1)	-
18.5	25	ATV650D18N4	VX5VP50A001	-	VW3A46106 (1)	VW3A46125 (1)	VW3A46144 (1)	VW3A46163 (1)	VW3A4704	-	VW3A5304	-	VW3A5404 (1)	-
22	30	ATV650D22N4	VX5VP50A001	-	VW3A46107 (1)	VW3A46126 (1)	VW3A46145 (1)	VW3A46164 (1)	VW3A4704	-	VW3A5304	-	VW3A5404 (1)	-
30	40	ATV650D30N4	VX5VP50BC001	-	VW3A46108 (1)	VW3A46127 (1)	VW3A46146 (1)	VW3A46165 (1)	VW3A4705	-	VW3A5305	-	VW3A5405 (1)	-
37	50	ATV650D37N4	VX5VP50BC001	-	VW3A46109 (1)	VW3A46128 (1)	VW3A46147 (1)	VW3A46166 (1)	VW3A4705	-	VW3A5305	-	VW3A5405 (1)	-
45	60	ATV650D45N4	VX5VP50BC001	-	VW3A46110 (1)	VW3A46129 (1)	VW3A46148 (1)	VW3A46167 (1)	VW3A4706	-	VW3A5305	-	VW3A5405 (1)	-
55	75	ATV650D55N4	VX5VP50BC001	-	VW3A46111 (1)	VW3A46130 (1)	VW3A46149 (1)	VW3A46168 (1)	VW3A4707	-	VW3A5306	-	VW3A5406 (1)	-
75	100	ATV650D75N4	VX5VP50BC001	-	VW3A46112 (1)	VW3A46131 (1)	VW3A46150 (1)	VW3A46169 (1)	VW3A4708	-	VW3A5306	-	VW3A5406 (1)	-
90	125	ATV650D90N4	VX5VP50BC001	-	VW3A46113 (1)	VW3A46132 (1)	VW3A46151 (1)	VW3A46170 (1)	VW3A4708	-	VW3A5306	-	VW3A5406 (1)	-
Pages	18	23	23	42	43	44	45	46	47	48	49	50	51	

(1) When used with ATV650U07N4/N4E...D90N4/N4E drives, the filter must be mounted in a separate enclosure to maintain IP 55 protection for the installation.

(2) In "Normal Duty", apply a derating of 1 to the drive nominal power with a minimum switching frequency of 4 kHz. For example: an ATV630D75M3 drive with sinus filter can be used on a 55 kW motor.

Table showing possible combinations of options for ATV650●●●N4E drives																
Motor		Drive	Options								EMC filters	IP 21 kit for EMC filter	dv/dt filters	IP 21 kit for dv/dt filter	Sinus filter	IP 21 kit for sinus filter
kW	HP		Fan kit	Flange-mounting kit	Passive filters (50 Hz)		Passive filters (60 Hz)									
					THDI < 10%	THDI < 5%	THDI < 10%	THDI < 5%								
<b>Three-phase supply voltage: 380...480 V 50/60 Hz - IP 55 with Vario disconnect switch</b>																
0.75	1	ATV650U07N4E	VX5VP50A001	–	VW3A46101 (1)	VW3A46120 (1)	VW3A46139 (1)	VW3A46158 (1)		VW3A4701	–	VW3A5301	–	VW3A5401 (1)	–	
1.5	2	ATV650U15N4E	VX5VP50A001	–	VW3A46101 (1)	VW3A46120 (1)	VW3A46139 (1)	VW3A46158 (1)		VW3A4701	–	VW3A5301	–	VW3A5401 (1)	–	
2.2	3	ATV650U22N4E	VX5VP50A001	–	VW3A46101 (1)	VW3A46120 (1)	VW3A46139 (1)	VW3A46158 (1)		VW3A4701	–	VW3A5301	–	VW3A5401 (1)	–	
3	–	ATV650U30N4E	VX5VP50A001	–	VW3A46101 (1)	VW3A46120 (1)	VW3A46139 (1)	VW3A46158 (1)		VW3A4702	–	VW3A5302	–	VW3A5402 (1)	–	
4	5	ATV650U40N4E	VX5VP50A001	–	VW3A46102 (1)	VW3A46121 (1)	VW3A46140 (1)	VW3A46159 (1)		VW3A4702	–	VW3A5302	–	VW3A5402 (1)	–	
5.5	7.5	ATV650U55N4E	VX5VP50A001	–	VW3A46102 (1)	VW3A46121 (1)	VW3A46140 (1)	VW3A46159 (1)		VW3A4702	–	VW3A5302	–	VW3A5402 (1)	–	
7.5	10	ATV650U75N4E	VX5VP50A001	–	VW3A46103 (1)	VW3A46122 (1)	VW3A46141 (1)	VW3A46160 (1)		VW3A4703	–	VW3A5303	–	VW3A5403 (1)	–	
11	15	ATV650D11N4E	VX5VP50A001	–	VW3A46104 (1)	VW3A46123 (1)	VW3A46142 (1)	VW3A46161 (1)		VW3A4703	–	VW3A5303	–	VW3A5403 (1)	–	
15	20	ATV650D15N4E	VX5VP50A001	–	VW3A46105 (1)	VW3A46124 (1)	VW3A46143 (1)	VW3A46162 (1)		VW3A4703	–	VW3A5304	–	VW3A5404 (1)	–	
18.5	25	ATV650D18N4E	VX5VP50A001	–	VW3A46106 (1)	VW3A46125 (1)	VW3A46144 (1)	VW3A46163 (1)		VW3A4704	–	VW3A5304	–	VW3A5404 (1)	–	
22	30	ATV650D22N4E	VX5VP50A001	–	VW3A46107 (1)	VW3A46126 (1)	VW3A46145 (1)	VW3A46164 (1)		VW3A4704	–	VW3A5304	–	VW3A5404 (1)	–	
30	40	ATV650D30N4E	VX5VP50BC001	–	VW3A46108 (1)	VW3A46127 (1)	VW3A46146 (1)	VW3A46165 (1)		VW3A4705	–	VW3A5305	–	VW3A5405 (1)	–	
37	50	ATV650D37N4E	VX5VP50BC001	–	VW3A46109 (1)	VW3A46128 (1)	VW3A46147 (1)	VW3A46166 (1)		VW3A4706	–	VW3A5305	–	VW3A5405 (1)	–	
45	60	ATV650D45N4E	VX5VP50BC001	–	VW3A46110 (1)	VW3A46129 (1)	VW3A46148 (1)	VW3A46167 (1)		VW3A4706	–	VW3A5305	–	VW3A5405 (1)	–	
55	75	ATV650D55N4E	VX5VP50BC001	–	VW3A46111 (1)	VW3A46130 (1)	VW3A46149 (1)	VW3A46168 (1)		VW3A4707	–	VW3A5306	–	VW3A5406 (1)	–	
75	100	ATV650D75N4E	VX5VP50BC001	–	VW3A46112 (1)	VW3A46131 (1)	VW3A46150 (1)	VW3A46169 (1)		VW3A4708	–	VW3A5306	–	VW3A5406 (1)	–	
90	125	ATV650D90N4E	VX5VP50BC001	–	VW3A46113 (1)	VW3A46132 (1)	VW3A46151 (1)	VW3A46170 (1)		VW3A4708	–	VW3A5306	–	VW3A5406 (1)	–	
<b>Pages</b>	18		23	23	42	43	44	45		46	47	48	49	50	51	

I/O expansion modules		
Description	Reference	Page
Module with digital and analog I/O	VW3A3203	33
Module with relay outputs	VW3A3204	33

List of communication modules (2)		
Description	Reference	Page
EtherNet/IP and Modbus TCP dual port	VW3A3720	37
CANopen Daisy chain	VW3A3608	38
CANopen SUB-D	VW3A3618	38
CANopen screw terminal block	VW3A3628	39
PROFINET	VW3A3627	40
PROFIBUS DP V1	VW3A3607	40
DeviceNet	VW3A3609	41

(1) When used with ATV650U07N4/N4E...D90N4/N4E drives, the filter must be mounted in a separate enclosure to maintain IP 55 protection for the installation.  
 (2) For module compatibility table, see opposite.

Module compatibility table			
Module type	Digital and analog I/O VW3A3203 (3)	Relay outputs VW3A3204 (3)	Communication VW3A3720 and VW3A36●● (4)
Digital and analog I/O VW3A3203			
Relay outputs VW3A3204			
Communication VW3A3720 and VW3A36●●			

Combination possible  
 Combination impossible

(3) Maximum combination involving two types of module is 2.  
 (4) Maximum combination involving two types of module is 1.

PF140354



#### I/O expansion modules

##### Presentation

By installing I/O expansion modules Altivar Process drives can be adapted to meet the needs of applications that manage additional sensors or specific sensors.

2 expansion modules are available:

- Module with digital and analog I/O
- Module with relay outputs

These modules are inserted in slots A and B on Altivar Process drives:

- 1 Slot A for I/O expansion or communication modules
- 2 Slot B for I/O expansion modules

##### Module with digital and analog I/O

- 2 differential analog inputs configurable via software as current (0-20 mA/4-20 mA), or for PTC, PT100 or PT1000, 2 or 3-wire
- 14-bit resolution
- 6 x 24 V  $\overline{\text{V}}$  positive or negative digital inputs
- Sampling: 1 ms max
- 2 assignable digital outputs
- 2 removable spring terminal blocks

##### Module with relay outputs

- 3 relay outputs with NO contacts
- 1 fixed screw terminal block

**Note:** Digital and analog I/O modules and relay output modules can go in either slot A or slot B on Altivar Process drives.

However, the drives cannot take 2 modules of the same type (e.g., 2 digital and analog I/O modules or 2 relay output modules).

PF130896



VW3A3203

PF130897



VW3A3204

I/O expansion modules						
Description	I/O type				Reference	Weight kg/ lb
	Digital inputs	Digital outputs	Analog inputs	Relay outputs		
Module with digital and analog I/O	6	2	2 (1)	–	VW3A3203	–
Module with relay outputs	–	–	–	3 (2)	VW3A3204	–

(1) Differential analog inputs configurable via software as current 0-20 mA/4-20 mA), or for PTC, PT100 or PT1000, 2 or 3-wire. When configured as PTC probe inputs, they must never be used to protect an ATEX motor in applications in explosive atmospheres. Please refer to the ATEX guide on our website [www.schneider-electric.com](http://www.schneider-electric.com).

(2) NO contacts.

#### Presentation

Altivar Process drives have 3 built-in RJ45 communication ports as standard:

- 1 Ethernet port
- 2 serial ports

#### Integrated communication protocols

Altivar Process drives integrate the Modbus TCP and Modbus serial link communication protocols as standard.

##### ■ Ethernet port

This offers standard services regularly used in industrial networks:

- Modbus TCP message handling is based on the Modbus protocol and is used to exchange process data with other network devices (e.g., a PLC). It provides Altivar Process drives with access to the Modbus protocol and to the high performance of the Ethernet network, which is the communication standard for numerous devices
- SNMP (Simple Network Management Protocol) offers standard diagnostics services for network management tools
- The FDR (Fast Device Replacement) service allows automatic reconfiguration of a new device installed to replace an existing device
- Device security is reinforced by disabling some unused services as well as managing a list of authorized devices
- Setup and adjustment tools (SoMove, Unity with DTM) can be connected locally or remotely
- The embedded Web server is used to display operating data and dashboards as well as to configure and diagnose system elements from any web browser

These numerous services offered by the Ethernet port mean that Altivar Process drives can be integrated into Schneider Electric solutions.

##### ■ Serial ports

- One port dedicated to field network operation for exchanging data with other devices via the Modbus protocol
- A second dedicated port for the multidrop connection of the following HMIs and configuration tools:
  - The remote graphic display terminal supplied with the drive
  - A Magelis industrial HMI terminal
  - A PC with SoMove or Unity setup software

The detailed specifications for the Ethernet or serial communication ports, and the Modbus and Modbus TCP protocols are available on our website [www.schneider-electric.com](http://www.schneider-electric.com).

#### Description

- 1 RJ45 Ethernet port
- 2 RJ45 serial port
- 3 Slot A for I/O expansion or communication modules
- 4 Slot B for I/O expansion modules
- 5 Removable screw terminal blocks for 24 V  $\bar{\text{---}}$  power supply and integrated I/O
- 6 RJ45 serial link for HMI (remote graphic display terminal, Magelis terminal, etc.)

Altivar Process drives can only take one communication module, in slot A **3** only. They cannot take 2 modules of the same type (e.g., 2 digital and analog I/O modules or 2 relay output modules). The drives can take one digital and analog I/O module and one relay output module in either slot A **3** or slot B **4**.

**Note:** The user manuals and description files (*gsd*, *eds*, *xif*) for devices on the communication buses and networks are available on our website [www.schneider-electric.com](http://www.schneider-electric.com).

PFI140354





#### Optional communication modules

The Altivar Process drive can also be connected to other industrial communication buses and networks by using one of the communication modules available as an option. Communication cards are supplied in "cassette" format for ease of mounting/removal.

Dedicated communication modules:

- EtherNet/IP and Modbus TCP Dual port
- CANopen:
  - RJ45 Daisy Chain
  - Sub-D
  - Screw terminal block
- PROFINET
- PROFIBUS DP V1
- DeviceNet

PROFINET and PROFIBUS DP V1 modules also support the Profidrive and CiA402 profiles.

It is possible to maintain communication using a separate power supply for the control and power sections. Monitoring and diagnostics are possible via the network are possible even if there is no power supply to the power section.

#### Functions

The drive functions can be accessed via the various communication networks:

- Configuration
- Adjustment
- Control
- Monitoring

Altivar Process drives offer a high degree of interfacing flexibility with the possibility to assign, by configuration, the different control sources (I/O, communication networks, and HMI terminal) to control functions in order to meet the requirements of complex applications.

Network services and parameters are configured using the SoMove drive setup software, or using Unity software if the drive is being integrated into a PlantStruXure architecture.

Communication is monitored according to the specific criteria for each protocol. However, regardless of the protocol, it is possible to configure how the drive responds to a detected communication interruption, as follows:

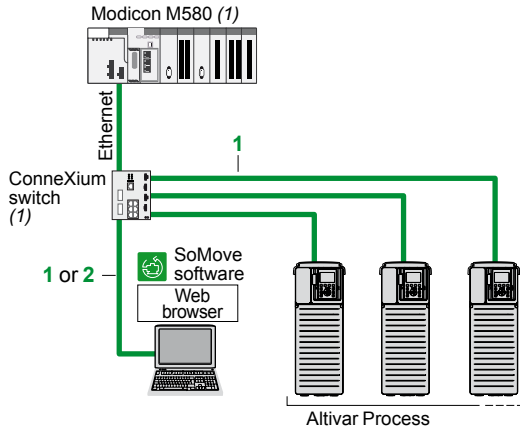
- Define the type of stop when a communication interruption is detected
- Maintain last command received
- Fallback position at preset speed
- Ignore the detected communication interruption

# Variable speed drives

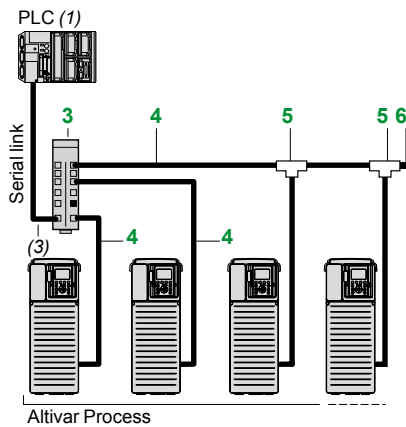
## Altivar Process

### Communication buses and networks

#### Integrated ports



Example of Ethernet architecture



Example of serial link architecture

#### Integrated Ethernet port

Description	Item	Length m/ft	Unit reference	Weight kg/lb
<b>ConneXium cordsets (2)</b>				
<b>Straight shielded twisted pair cables</b> equipped with 2 RJ45 connectors conforming to EIA/TIA-568 category 5 and IEC 11801/EN 50173-1, class D	1	2/6.56	490NTW00002	–
		5/16.40	490NTW00005	–
		12/39.37	490NTW00012	–
<b>Crossover shielded twisted pair cables</b> equipped with 2 RJ45 connectors conforming to EIA/TIA-568 category 5 and IEC 11801/EN 50173-1, class D	2	5/16.40	490NTC00005	–
		15/49.21	490NTC00015	–
<b>Straight shielded twisted pair cables</b> equipped with 2 RJ45 connectors conforming to UL and CSA 22.1	1	2/6.56	490NTW00002U	–
		5/16.40	490NTW00005U	–
		12/39.37	490NTW00012U	–
<b>Crossover shielded twisted pair cables</b> equipped with 2 RJ45 connectors conforming to UL and CSA 22.1	2	5/16.40	490NTC00005U	–
		15/49.21	490NTC00015U	–

#### Integrated serial port

Description	Item	Length m/ft	Unit reference	Weight kg/lb
<b>Connection accessories</b>				
<b>Splitter box</b> 10 RJ45 connectors and 1 screw terminal block	3	–	LU9GC3	0.500/1.102
<b>Modbus T-junction boxes</b>	With 0.3m/0.98 ft integrated cable	5	0.3/0.98	VW3A8306TF03 0.190/0.419
	With 1 m/3.28 ft integrated cable	5	1/3.28	VW3A8306TF10 0.210/0.463
<b>Modbus line terminator (4)</b> For RJ45 connector R = 120 Ω C = 1 nf	6	–	VW3A8306RC	0.010/0.022
<b>Cordsets</b> equipped with 2 RJ45 connectors	4	0.3/0.98	VW3A8306R03	0.025/0.055
		1/3.28	VW3A8306R10	0.060/0.132
		3/9.84	VW3A8306R30	0.130/0.287

(1) Please refer to the "Modicon automation platform" catalogs on our website [www.schneider-electric.com](http://www.schneider-electric.com).

(2) Also exist in 40 and 80 m/131 and 262 ft lengths. For other ConneXium connection accessories, please consult our website [www.schneider-electric.com](http://www.schneider-electric.com).

(3) Cable depends on the PLC.

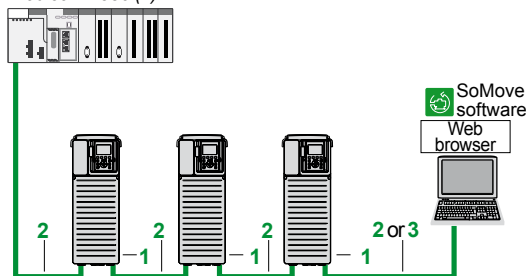
(4) Sold in lots of 2.

PF130914A



VW3A3720

Modicon M580 (2)



Altivar Process drive + VW3A3720 module

Example of connection on an EtherNet/IP network

#### EtherNet/IP and Modbus TCP networks (1)

Description	Item	Length m/ ft	Unit reference	Weight kg/ lb
<b>Communication module</b>				
<b>EtherNet/IP and Modbus TCP dual port module</b> For connection to the Modbus TCP network or EtherNet/IP network Ports: 2 RJ45 connectors <ul style="list-style-type: none"> <li>10/100 Mbps, half duplex and full duplex</li> <li>embedded Web server</li> </ul> Requires cordset 490NTW000●●/●●U or 490NTC000●●/●●U	1	–	VW3A3720	0.020/ 0.044

#### ConneXium cordsets (3)

<b>Straight shielded twisted pair cables</b> equipped with 2 RJ45 connectors conforming to EIA/TIA-568 category 5 and IEC 11801/EN 50173-1, class D	2	2/ 6.56 5/ 16.40 12/ 39.37	490NTW00002 490NTW00005 490NTW00012	– – –
<b>Crossover shielded twisted pair cables</b> equipped with 2 RJ45 connectors conforming to EIA/TIA-568 category 5 and IEC 11801/EN 50173-1, class D	3	5/ 16.40 15/ 49.21	490NTC00005 490NTC00015	– –
<b>Straight shielded twisted pair cables</b> equipped with 2 RJ45 connectors conforming to UL and CSA 22.1	2	2/ 6.56 5/ 16.40 12/ 39.37	490NTW00002U 490NTW00005U 490NTW00012U	– – –
<b>Crossover shielded twisted pair cables</b> equipped with 2 RJ45 connectors conforming to UL and CSA 22.1	3	5/ 16.40 15/ 49.21	490NTC00005U 490NTC00015U	– –

(1) Altivar Process drives can only take one communication module.

(2) Please refer to the "M580 automation platform" catalog on our website [www.schneider-electric.com](http://www.schneider-electric.com).

(3) Also exist in 40 and 80 m/131 and 262 ft lengths. For other ConneXium connection accessories, please consult our website [www.schneider-electric.com](http://www.schneider-electric.com).

# Variable speed drives

## Altivar Process

### Communication buses and networks

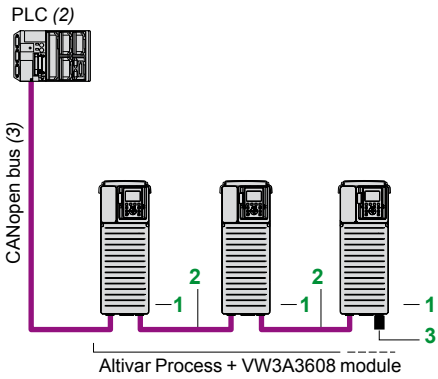
#### Option: Communication modules



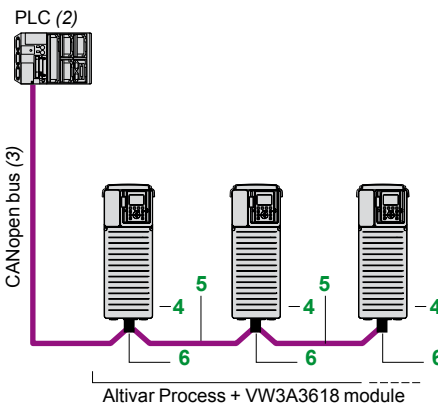
VW3A3608



VW3A3618



Optimized solution for daisy chain connection to the CANopen bus



Example of connection to the CANopen bus via SUB-D connector

### CANopen bus (1)

Description	Item	Length m/ ft	Unit reference	Weight kg/ lb
<b>Communication module</b>				
<b>CANopen Daisy chain module</b> Ports: 2 RJ45 connectors	1	-	VW3A3608	-

### Connection to RJ45 connector (optimized solution for daisy chain connection on CANopen bus)

<b>CANopen cordsets</b> equipped with 2 RJ45 connectors	2	0.3/ 0.98	VW3CANCARR03	0.050/ 0.110
		1/ 3.28	VW3CANCARR1	0.500/ 1.102

<b>CANopen line terminator for RJ45 connector</b>	3	-	TCSCAR013M120	-
---	---	---	---------------	---

### Communication module

<b>CANopen SUB-D module</b> Ports: 1 x 9-way male SUB-D connector	4	-	VW3A3618	-
--	---	---	----------	---

### Connection to SUB-D connector

<b>CANopen cables (3) (4)</b> Standard cable, C€ mark Low smoke zero halogen. Flame-retardant (IEC 60332-1)	5	50/ 164.04	TSXCANCA50	4.930/ 10.869
		100/ 328.08	TSXCANCA100	8.800/ 19.401
		300/ 984.25	TSXCANCA300	24.560/ 54.145

<b>CANopen cables (3) (4)</b> UL certification, C€ mark Flame-retardant (IEC 60332-2)	5	50/ 164.04	TSXCANCB50	3.580/ 7.893
		100/ 328.08	TSXCANCB100	7.840/ 17.284
		300/ 984.25	TSXCANCB300	21.870/ 48.215

<b>CANopen cables (3) (4)</b> Cable for harsh environments or mobile installations, C€ mark Low smoke zero halogen Flame-retardant (IEC 60332-1)	5	50/ 164.04	TSXCANCD50	3.510/ 7.738
		100/ 328.08	TSXCANCD100	7.770/ 17.130
		300/ 984.25	TSXCANCD300	7.770/ 17.130

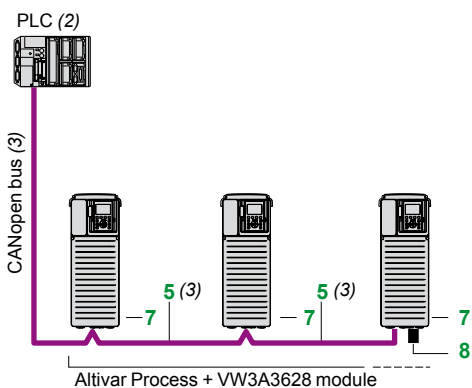
<b>IP 20 straight CANopen connector (5)</b> 9-way female SUB-D connector with line terminator that can be deactivated For connecting CAN-H, CAN-L, CAN-GND	6	-	TSXCANKCDF180T	0.049/ 0.108
--	---	---	----------------	-----------------

- (1) Altivar Process drives can only take one communication module.
- (2) Please refer to the "Modicon automation platform" catalogs on our website [www.schneider-electric.com](http://www.schneider-electric.com).
- (3) Cable depends on the PLC.
- (4) Standard environment:
  - No particular environmental constraints
  - Operating temperature between +5 °C and +60 °C/+41 °F and +140 °F
  - Fixed installation
 Harsh environment:
  - Resistance to hydrocarbons, industrial oils, detergents, solder splashes
  - Relative humidity up to 100%
  - Saline atmosphere
  - Operating temperature between -10 °C and +70 °C/+14 °F and 158 °F
  - Significant temperature variations
- (5) Only straight connectors are compatible with Altivar Process drives.

PF095129



VW3A3628



Example of connection to the CANopen bus with a screw terminal block

## CANopen bus (continued) (1)

Description	Item	Length m/ ft	Unit reference	Weight kg/ lb
<b>Communication module</b>				
<b>CANopen module</b> Port: 1 x 5-way screw terminal block	7	–	VW3A3628	–
<b>Connection to screw terminal block</b>				
<b>CANopen IP 20 cordsets (3)</b> equipped with 2 x 9-way female SUB-D connectors	5	0.3/ 0.98	TSXCANCADD03	0.091/ 0.201
Standard cable, C€ mark. Low smoke zero halogen Flame-retardant (IEC 60332-1)		1/ 3.28	TSXCANCADD1	0.143/ 0.315
		3/ 9.84	TSXCANCBDD3	0.268/ 0.591
		5/ 16.40	TSXCANCBDD5	0.400/ 0.882
<b>IP 20 CANopen tap junction boxes</b> equipped with: ■ 4 x 9-way male SUB-D connectors + screw terminal block for trunk cable tap link ■ Line terminator	–	–	TSXCANTDM4	0.196/ 0.432
<b>IP 20 CANopen tap junction boxes</b> equipped with: ■ 2 screw terminal blocks for trunk cable tap link ■ 2 RJ45 connectors for connecting drives ■ 1 RJ45 connector for connecting a PC	–	–	VW3CANTAP2	–
<b>CANopen line terminator for screw terminal connector (4)</b>	8	–	TCSCAR01NM120	–

(1) Altivar Process drives can only take one communication module.

(2) Please refer to the "Modicon automation platform" catalogs on our website [www.schneider-electric.com](http://www.schneider-electric.com).

(3) Cable depends on the PLC.

(4) Sold in lots of 2.

# Variable speed drives

## Altivar Process

### Communication buses and networks

#### Option: Communication modules

PF 514350



VW3A3627

PROFINET bus (1) (2)		
Description	Reference	Weight kg/ lb
<b>Communication module</b>		
<b>PROFINET module</b> equipped with 2 RJ45 connectors	<b>VW3A3627</b>	0.290/ 0.639

PF095130



VW3A3607

PROFIBUS DP V1 bus (1) (3)		
Description	Reference	Weight kg/ lb
<b>Communication module</b>		
<b>PROFIBUS DP V1 module</b> Port: 1 x 9-way female SUB-D connector Conforming to PROFIBUS DP V1 Profiles supported: ■ CiA 402 drive ■ Profidrive Offers several message handling modes based on DP V1	<b>VW3A3607</b>	0.140/ 0.309

SUB-D connection		
IP 20 straight connectors (4) for Profibus module	<b>LU9AD7</b>	–

(1) Altivar Process drives can only take one communication module.  
 (2) Minimum version compatible with Altivar Process: v1.2.06.  
 (3) Minimum version compatible with Altivar Process: v1.9.01.  
 (4) Only straight connectors are compatible with Altivar Process drives.



## Variable speed drives

Altivar Process

Communication buses and networks

Option: Communication modules

PF514346

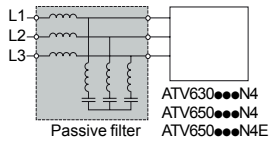


VW3A3609

DeviceNet bus (1) (2)		
Description	Reference	Weight kg/ lb
<b>Communication module</b>		
<b>DeviceNet module</b>	<b>VW3A3609</b>	0.300/ 0.661
Port: 1 removable 5-way screw connector		
Profiles supported:		
<ul style="list-style-type: none"> <li>■ CIP AC DRIVE</li> <li>■ CiA 402 drive</li> </ul>		

(1) Altivar Process drives can only take one communication module.

(2) Minimum version compatible with Altivar Process: v1.5.05.



### Presentation

Passive filters are used to obtain total harmonic distortion of less than 10% or 5%. Reactive power increases at no load or low load. To help reduce this reactive power, the filter capacitors can be disconnected (see the diagrams on our website [www.schneider-electric.com](http://www.schneider-electric.com)). Passive filters provide IP 20 protection.

### Applications

Reduction of current harmonics in order to use drives in the first environment (restricted distribution, domestic applications, sale conditional on the competence of the user and the distributor in terms of reducing current harmonics).

### Passive filters: 400 V 50 Hz three-phase supply

Motor rating	For Altivar Process drives	Filter		Quantity required per drive	Reference (1)	Weight
		Nominal current input	Nominal current output			
kW	HP	A	A			kg/ lb
<b>THDI &lt; 10%</b>						
0.75	1	ATV630U07N4 ATV650U07N4 ATV650U07N4E	6	6.2	1	VW3A46101 12.000/ 26.455
1.5	2	ATV630U15N4 ATV650U15N4 ATV650U15N4E				
2.2	3	ATV630U22N4 ATV650U22N4 ATV650U22N4E				
3	–	ATV630U30N4 ATV650U30N4 ATV650U30N4E				
4	5	ATV630U40N4 ATV650U40N4 ATV650U40N4E	10	10.4	1	VW3A46102 13.500/ 29.762
5.5	7.5	ATV630U55N4 ATV650U55N4 ATV650U55N4E				
7.5	10	ATV630U75N4 ATV650U75N4 ATV650U75N4E	14	14.5	1	VW3A46103 16.300/ 35.935
11	15	ATV630D11N4 ATV650D11N4 ATV650D11N4E	22	23	1	VW3A46104 22.000/ 48.502
15	20	ATV630D15N4 ATV650D15N4 ATV650D15N4E	29	30	1	VW3A46105 25.000/ 55.116
18.5	25	ATV630D18N4 ATV650D18N4 ATV650D18N4E	35	37	1	VW3A46106 37.000/ 81.571
22	30	ATV630D22N4 ATV650D22N4 ATV650D22N4E	43	45	1	VW3A46107 39.000/ 85.980
30	40	ATV630D30N4 ATV650D30N4 ATV650D30N4E	58	60	1	VW3A46108 44.000/ 97.003
37	50	ATV630D37N4 ATV650D37N4 ATV650D37N4E	72	75	1	VW3A46109 56.000/ 123.459
45	60	ATV630D45N4 ATV650D45N4 ATV650D45N4E	86	90	1	VW3A46110 62.000/ 136.686
55	75	ATV630D55N4 ATV650D55N4 ATV650D55N4E	101	105	1	VW3A46111 74.000/ 163.142
75	100	ATV630D75N4 ATV650D75N4 ATV650D75N4E	144	150	1	VW3A46112 85.000/ 187.393
90	125	ATV630D90N4 ATV650D90N4 ATV650D90N4E	180	187	1	VW3A46113 102.000/ 224.871
110	150	ATV630C11N4	217	225	1	VW3A46114 119.000/ 262.350
132	200	ATV630C13N4	252	262	1	VW3A46115 136.000/ 299.828
160	250	ATV630C16N4	304	316	1	VW3A46116 142.000/ 313.056

(1) When used with ATV650U07N4/N4E...D90N4/N4E drives, the filter must be mounted in a separate enclosure to maintain IP 55 protection for the installation.



VW3A46106

Passive filters: 400 V 50 Hz three-phase supply							
Motor rating		For Altivar Process drives	Filter		Quantity required per drive	Reference (1)	Weight
kW	HP		Nominal current input	Nominal current output			
			A	A			kg/ lb
<b>THDI &lt; 5%</b>							
0.75	1	ATV630U07N4 ATV650U07N4 ATV650U07N4E	6	6.2	1	VW3A46120	16.000/ 35.274
1.5	2	ATV630U15N4 ATV650U15N4 ATV650U15N4E					
2.2	3	ATV630U22N4 ATV650U22N4 ATV650U22N4E					
3	–	ATV630U30N4 ATV650U30N4 ATV650U30N4E					
4	5	ATV630U40N4 ATV650U40N4 ATV650U40N4E	10	10.4	1	VW3A46121	18.000/ 39.683
5.5	7.5	ATV630U55N4 ATV650U55N4 ATV650U55N4E					
7.5	10	ATV630U75N4 ATV650U75N4 ATV650U75N4E	14	14.5	1	VW3A46122	20.000/ 44.092
11	15	ATV630D11N4 ATV650D11N4 ATV650D11N4E	22	23	1	VW3A46123	30.000/ 66.139
15	20	ATV630D15N4 ATV650D15N4 ATV650D15N4E	29	30	1	VW3A46124	34.000/ 74.957
18.5	25	ATV630D18N4 ATV650D18N4 ATV650D18N4E	35	37	1	VW3A46125	53.000/ 116.845
22	30	ATV630D22N4 ATV650D22N4 ATV650D22N4E	43	45	1	VW3A46126	58.000/ 127.868
30	40	ATV630D30N4 ATV650D30N4 ATV650D30N4E	58	60	1	VW3A46127	76.000/ 167.551
37	50	ATV630D37N4 ATV650D37N4 ATV650D37N4E	72	75	1	VW3A46128	98.000/ 216.053
45	60	ATV630D45N4 ATV650D45N4 ATV650D45N4E	86	90	1	VW3A46129	104.000/ 229.281
55	75	ATV630D55N4 ATV650D55N4 ATV650D55N4E	101	105	1	VW3A46130	106.000/ 233.690
75	100	ATV630D75N4 ATV650D75N4 ATV650D75N4E	144	150	1	VW3A46131	126.000/ 277.782
90	125	ATV630D90N4 ATV650D90N4 ATV650D90N4E	180	187	1	VW3A46132	135.000/ 297.623
110	150	ATV630C11N4	217	225	1	VW3A46133	172.000/ 379.195
132	200	ATV630C13N4	252	262	1	VW3A46134	206.000/ 454.152
160	250	ATV630C16N4	304	316	1	VW3A46135	221.000/ 487.221

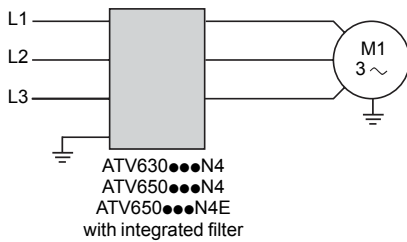
(1) When used with ATV650U07N4/N4E...D90N4/N4E drives, the filter must be mounted in a separate enclosure to maintain IP 55 protection for the installation.

Passive filters: 460 V 60 Hz three-phase supply							
Motor rating		For Altivar Process drives	Filter		Quantity required per drive	Reference (1)	Weight
kW	HP		Nominal current				
			input	output			
			A	A			kg/ lb
<b>THDI &lt; 10%</b>							
0.75	1	ATV630U07N4 ATV650U07N4 ATV650U07N4E	6	6.2	1	VW3A46139	12.000/ 26.455
1.5	2	ATV630U15N4 ATV650U15N4 ATV650U15N4E					
2.2	3	ATV630U22N4 ATV650U22N4 ATV650U22N4E					
3	–	ATV630U30N4 ATV650U30N4 ATV650U30N4E					
4	5	ATV630U40N4 ATV650U40N4 ATV650U40N4E	10	10.4	1	VW3A46140	13.500/ 29.762
5.5	7.5	ATV630U55N4 ATV650U55N4 ATV650U55N4E					
7.5	10	ATV630U75N4 ATV650U75N4 ATV650U75N4E	14	14.5	1	VW3A46141	16.300/ 35.935
11	15	ATV630D11N4 ATV650D11N4 ATV650D11N4E	19	19.5	1	VW3A46142	22.000/ 48.502
15	20	ATV630D15N4 ATV650D15N4 ATV650D15N4E	25	26	1	VW3A46143	23.000/ 50.706
18.5	25	ATV630D18N4 ATV650D18N4 ATV650D18N4E	31	32	1	VW3A46144	33.000/ 72.752
22	30	ATV630D22N4 ATV650D22N4 ATV650D22N4E	36	37	1	VW3A46145	37.000/ 81.571
30	40	ATV630D30N4 ATV650D30N4 ATV650D30N4E	48	50	1	VW3A46146	39.000/ 85.980
37	50	ATV630D37N4 ATV650D37N4 ATV650D37N4E	60	62	1	VW3A46147	43.000/ 94.799
45	60	ATV630D45N4 ATV650D45N4 ATV650D45N4E	73	76	1	VW3A46148	55.000/ 121.254
55	75	ATV630D55N4 ATV650D55N4 ATV650D55N4E	95	99	1	VW3A46149	62.000/ 136.686
75	100	ATV630D75N4 ATV650D75N4 ATV650D75N4E	118	122	1	VW3A46150	74.000/ 163.142
90	125	ATV630D90N4 ATV650D90N4 ATV650D90N4E	154	160	1	VW3A46151	85.000/ 187.393
110	150	ATV630C11N4	183	190	1	VW3A46152	102.000/ 224.871
132	200	ATV630C13N4	231	240	1	VW3A46153	119.000/ 262.35
160	250	ATV630C16N4	291	302.5	1	VW3A46154	142.000/ 313.056

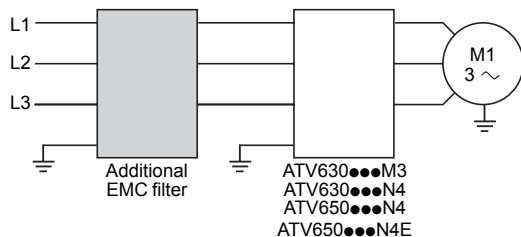
(1) When used with ATV650U07N4/N4E...D90N4/N4E drives, the filter must be mounted in a separate enclosure to maintain IP 55 protection for the installation.

Passive filters: 460 V 60 Hz three-phase supply							
Motor rating		For Altivar Process drives	Filter		Quantity required per drive	Reference (1)	Weight
kW	HP		Nominal current input	Nominal current output			
			A	A			kg/lb
<b>THDI &lt; 5%</b>							
0.75	1	ATV630U07N4 ATV650U07N4 ATV650U07N4E	6	6.2	1	VW3A46158	16.000/ 35.274
1.5	2	ATV630U15N4 ATV650U15N4 ATV650U15N4E					
2.2	3	ATV630U22N4 ATV650U22N4 ATV650U22N4E					
3	–	ATV630U30N4 ATV650U30N4 ATV650U30N4E					
4	5	ATV630U40N4 ATV650U40N4 ATV650U40N4E	10	10.4	1	VW3A46159	18.000/ 39.683
5.5	7.5	ATV630U55N4 ATV650U55N4 ATV650U55N4E					
7.5	10	ATV630U75N4 ATV650U75N4 ATV650U75N4E	14	14.5	1	VW3A46160	20.000/ 44.092
11	15	ATV630D11N4 ATV650D11N4 ATV650D11N4E	19	19.5	1	VW3A46161	30.000/ 66.139
15	20	ATV630D15N4 ATV650D15N4 ATV650D15N4E	25	26	1	VW3A46162	34.000/ 74.957
18.5	25	ATV630D18N4 ATV650D18N4 ATV650D18N4E	31	32	1	VW3A46163	52.000/ 114.640
22	30	ATV630D22N4 ATV650D22N4 ATV650D22N4E	36	37	1	VW3A46164	53.000/ 116.845
30	40	ATV630D30N4 ATV650D30N4 ATV650D30N4E	48	50	1	VW3A46165	57.000/ 125.663
37	50	ATV630D37N4 ATV650D37N4 ATV650D37N4E	60	62	1	VW3A46166	75.000/ 165.347
45	60	ATV630D45N4 ATV650D45N4 ATV650D45N4E	73	76	1	VW3A46167	97.000/ 213.848
55	75	ATV630D55N4 ATV650D55N4 ATV650D55N4E	95	99	1	VW3A46168	104.000/ 229.281
75	100	ATV630D75N4 ATV650D75N4 ATV650D75N4E	118	122	1	VW3A46169	106.000/ 233.690
90	125	ATV630D90N4 ATV650D90N4 ATV650D90N4E	154	160	1	VW3A46170	126.000/ 277.782
110	150	ATV630C11N4	183	190	1	VW3A46171	135.000/ 297.624
132	200	ATV630C13N4	231	240	1	VW3A46172	172.000/ 379.195
160	250	ATV630C16N4	291	316	1	VW3A46173	221.000/ 487.221

(1) When used with ATV650U07N4/N4E...D90N4/N4E drives, the filter must be mounted in a separate enclosure to maintain IP 55 protection for the installation.



Altivar Process drive with integrated EMC filter



Altivar Process drive with additional EMC filter

### Integrated EMC filters

Altivar Process drives (except ATV630U07M3...D75M3) have integrated radio interference input filters in accordance with the EMC standard for variable speed electrical power drive "products" IEC/EN 61800-3, edition 2, category C2 or C3 in environment 1 or 2, and to comply with the European EMC (electromagnetic compatibility) directive.

The integrated EMC filter runs off the leakage current to ground. The leakage current can be reduced by disconnecting the filter capacitors (please refer to the installation guide on our website [www.schneider-electric.com](http://www.schneider-electric.com)). In this configuration, the product does not comply with the European EMC directive.

For drives	Maximum length of shielded cable (1) acc. to	
	IEC/EN 61800-3 category C2	IEC/EN 61800-3 category C3
	m	m
<b>Three-phase supply voltage: 380...480 V IP 21</b>		
ATV630U07N4... D45N4	50	150
ATV630D55N4... C16N4	–	150
<b>Three-phase supply voltage: 380...480 V IP 55</b>		
ATV650U07N4/N4E...D45N4/N4E	50	150
ATV650D55N4/N4E...D90N4/N4E	–	150

### Additional EMC input filters

Additional EMC input filters can be used to meet more stringent requirements and are designed to reduce conducted emissions on the line supply below the limits of standard IEC/EN 61800-3 category C1, C2 or C3.

#### Use according to the type of line supply

Use of these additional filters is only possible on TN (neutral connection) and TT (grounded neutral) type systems.

Standard IEC/EN 61800-3, appendix D2.1, states that on IT systems (isolated or impedance grounded neutral), filters can cause permanent insulation monitors to operate in a random manner.

If a machine needs to be installed on an IT system, one solution is to insert an isolation transformer and connect the machine locally to a TN or TT system.

### References

For drives	Maximum length of shielded cable (1)		In (2)	If	Reference	Weight
	IEC/EN 61800-3 category C2 (3)	IEC/EN 61800-3 category C3 (3)				
	m	m	A	mA		kg/ lb
<b>Three-phase supply voltage: 200...240 V 50 Hz</b>						
ATV630U07M3...U15M3	50	150	8	7.6	VW3A4701	2.000/ 4.409
ATV630U22M3...U30M3	50	150	15	7.6	VW3A4702	2.400/ 5.291
ATV630U40M3...U75M3	50	150	35	7.6	VW3A4703	4.100/ 9.039
ATV630D11M3	50	150	50	7.6	VW3A4704	5.200/ 11.464
ATV630D15M3	50	150	70	13.9	VW3A4705	6.100/ 13.448
ATV630D18M3...D22M3	50	150	100	13.9	VW3A4706	6.500/ 14.330
ATV630D30M3...D37M3	50	150	160	13.9	VW3A4707	8.500/ 18.739
ATV630D45M3	50	150	200	13.9	VW3A4708	9.500/ 20.944
ATV630D55M3	50	150	240	27.8	VW3A4709	15.000/ 33.069
ATV630D75M3	50	150	305	27.8	VW3A4710	17.000/ 37.479

(1) The maximum lengths are given as examples only, as they vary depending on the stray capacitance of the motors and the cables used. If motors are connected in parallel, it is the total length of all cables that should be taken into account.

(2) Nominal filter current.

(3) Values given depend on the nominal switching frequency of the drive. This frequency depends on the drive rating.



Additional EMC input filters (continued)						
References (continued)						
For drives	Maximum length of shielded cable (1) (2)		In (4)	If	Reference (5)	Weight
	IEC/EN 61800-3 category C2 (3)	IEC/EN 61800-3 category C3 (3)	A	mA		
	m	m				kg/ lb
<b>Three-phase supply voltage: 380...480 V 50 Hz</b>						
ATV630U07N4...U22N4 ATV650U07N4...U22N4 ATV650U07N4E...U22N4E	150	300	8	7.6	VW3A4701	2.000/ 4.409
ATV630U30N4...U55N4 ATV650U30N4...U55N4 ATV650U30N4E...U55N4E	150	300	15	7.6	VW3A4702	2.400/ 5.291
ATV630U75N4...D15N4 ATV650U75N4...D15N4 ATV650U75N4E...D15N4E	150	300	35	7.6	VW3A4703	4.100/ 9.039
ATV630D18N4...D22N4 ATV650D18N4...D22N4 ATV650D18N4E...D22N4E	150	300	50	7.6	VW3A4704	5.200/ 11.464
ATV630D30N4 ATV650D30N4 ATV650D30N4E	150	300	70	13.9	VW3A4705	6.100/ 13.448
ATV630D37N4...D45N4 ATV650D37N4...D45N4 ATV650D37N4E...D45N4E	150	300	100	13.9	VW3A4706	6.500/ 14.330
ATV630D55N4 ATV650D55N4 ATV650D55N4E	150	300	160	13.9	VW3A4707	8.500/ 18.739
ATV630D75N4...D90N4 ATV650D75N4...D90N4 ATV650D75N4E...D90N4E	150	300	200	13.9	VW3A4708	9.500/ 20.944
ATV630C11N4 ATV630C13N4	150	300	240	27.8	VW3A4709	15.000/ 33.069
ATV630C16N4	150	300	305	27.8	VW3A4710	17.000/ 37.479

### IP 21 protection kit for IP 20 filters

Additional input filters provide IP 20 protection as standard. This kit can be used to provide IP 21 or UL type 1 protection.

Description	For filters	Reference	Weight kg/ lb
Mechanical kit including cover and cable clamps	VW3A4701	VW3A47901	0.200/ 0.441
	VW3A4702	VW3A47902	0.300/ 0.661
	VW3A4703	VW3A47903	0.400/ 0.882
	VW3A4704	VW3A47904	0.500/ 1.102
	VW3A4705	VW3A47905	0.900/ 1.984
	VW3A4706	VW3A47906	1.000/ 2.205
	VW3A4707	VW3A47907	1.500/ 3.307
	VW3A4708	VW3A47908	2.000/ 4.409

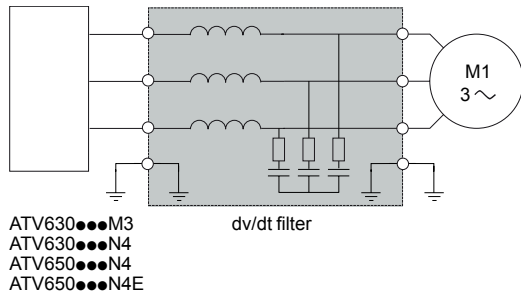
(1) The maximum lengths are given as examples only, as they vary depending on the stray capacitance of the motors and the cables used. If motors are connected in parallel, it is the total length of all cables that should be taken into account.

(2) The associations of EMC filters with ATV6●0U07N4/N4E...D22N4/N4E drives are also compliant with the IEC/EN 61800-3 category C1 standard with a 50 m shielded cable length.

(3) Values given depend on the nominal switching frequency of the drive. This frequency depends on the drive rating.

(4) Nominal filter current.

(5) When used with ATV650U07N4/N4E...D90N4/N4E drives, the filter must be mounted in a separate enclosure to maintain IP 55 protection for the installation.



Altivar Process drive with dv/dt filter

### Presentation

Altivar Process drives operate with the following maximum motor cable lengths: 150 m/492 ft for shielded cables and 300 m/984 ft for unshielded cables.

To limit the impact of dv/dt and overvoltages in the motor, it is recommended, for cables longer than 50 m/164 ft, that you check the motor insulation type and add an output filter if necessary.

For further information, please consult the “An improved approach for connecting variable speed drives and electric motors” White Paper available on our website [www.schneider-electric.com](http://www.schneider-electric.com).

Output filters are used to limit dv/dt at the motor terminals to 500 V/μs maximum.

Output filters are designed to limit overvoltages at the motor terminals to less than:

- 800 V with a shielded cable 0 to 50 m (0 to 164 ft) long, with a 400 V supply voltage
- 1,000 V with a shielded cable 50 to 150 m (164 to 492 ft) long, with a 400 V supply voltage
- 1,500 V with a shielded cable 150 to 300 m (492 to 984 ft) long, with a 400 V supply voltage (up to 500 m (1,640 ft) with an unshielded cable)

They are also used to:

- Limit overvoltages at the motor terminals
- Filter interference caused by opening a contactor placed between the filter and the motor

The performance of dv/dt filters will be affected if the maximum cable lengths are exceeded. For an application with several motors connected in parallel, the cable length must include all cabling. If a cable longer than that recommended is used, the dv/dt filters may overheat.

The switching frequency must be less than 100 Hz.

### dv/dt output filters

For drives	Maximum length of motor cable		Degree of protection (3)	In	Reference	Weight
	Maximum switching frequency (1)	Shielded cable				
	kHz	m/ft	IP	A		kg/lb
<b>Three-phase supply voltage: 200...240 V</b>						
ATV630U07M3	4	300/ 984	20	6	VW3A5301	11.000/ 24.251
ATV630U15M3...U30M3	4	300/ 984	20	15	VW3A5302	12.000/ 26.455
ATV630U40M3	4	300/ 984	20	25	VW3A5303	12.000/ 26.455
ATV630U55M3...D11M3	4	300/ 984	20	50	VW3A5304	18.000/ 39.683
ATV630D15M3...D22M3	4	300/ 984	20	95	VW3A5305	19.000/ 41.888
ATV630D30M3...D45M3	2.5	300/ 984	00	180	VW3A5306	22.000/ 48.502
ATV630D55M3...D75M3	2.5	300/ 984	00	305	VW3A5307	40.000/ 88.185

(1) The filters are designed to operate in a switching frequency range of between 2 and 8 kHz.

(2) Values given depend on the nominal switching frequency of the drive. This frequency depends on the drive rating. These cable lengths are given as examples only as they can vary depending on the application. They correspond to motors conforming to IEC 6034-25 and NEMA MG1/31.2006.

(3) Nominal filter current.

## Variable speed drives

Altivar Process: Output filters

Option: dv/dt filters

dv/dt output filters (continued)						
For drives	Maximum length of motor cable		Degree of protection (3)	In (3)	Reference (4)	Weight
	Maximum switching frequency (1)	Shielded cable (2)				
	kHz	m/ft	IP	A		kg/lb
<b>Three-phase supply voltage: 380...480 V</b>						
ATV630U07N4...U22N4 ATV650U07N4...U22N4 ATV650U07N4E...U22N4E	4	300/ 984	20	6	VW3A5301	11.000/ 24.251
ATV630U30N4...U55N4 ATV650U30N4...U55N4 ATV650U30N4E...U55N4E	4	300/ 984	20	15	VW3A5302	12.000/ 26.455
ATV630U75N4...D11N4 ATV650U75N4...D11N4 ATV650U75N4E...D11N4E	4	300/ 984	20	25	VW3A5303	12.000/ 26.455
ATV630D15N4...D22N4 ATV650D15N4...D22N4 ATV650D15N4E...D22N4E	4	300/ 984	20	50	VW3A5304	18.000/ 39.683
ATV630D30N4...D45N4 ATV650D30N4...D45N4 ATV650D30N4E...D45N4E	4	300/ 984	20	95	VW3A5305	19.000/ 41.888
ATV630D55N4...D90N4 ATV650D55N4...D90N4 ATV650D55N4E...D90N4E	2.5	300/ 984	00	180	VW3A5306	22.000/ 48.502
ATV630C11N4...C16N4	2.5	300/ 984	00	305	VW3A5307	40.000/ 88.185

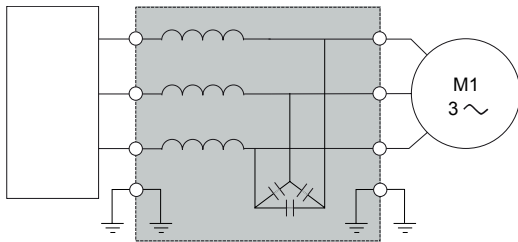
IP 21 protection kit for IP 20 filters			
Description	For dv/dt filters	Reference	Weight kg/lb
Mechanical kit including cover and cable clamps	VW3A5301	VW3A53902	1.300/ 2.866
	VW3A5302		
	VW3A5303		
	VW3A5304	VW3A53903	1.700/ 3.748
	VW3A5305	VW3A53905	3.200/ 7.055

(1) The filters are designed to operate in a switching frequency range of between 2 and 8 kHz.

(2) Values given depend on the nominal switching frequency of the drive. This frequency depends on the drive rating. These cable lengths are given as examples only as they can vary depending on the application. They correspond to motors conforming to IEC 6034-25 and NEMA MG1/31.2006.

(3) Nominal filter current.

(4) When used with **ATV650U07N4/N4E...D90N4/N4E** drives, the filter must be mounted in a separate enclosure to maintain IP 55 protection for the installation.



ATV630●●●M3  
ATV630●●●N4  
ATV650●●●N4  
ATV650●●●N4E

Sinus filter

Altivar Process drive with sinus filter

### Presentation

Sinus filters allow Altivar Process drives to operate with long motor cables:

- 500 m (1,640 ft) with a shielded cable
- 1,000 m (3,280 ft) with an unshielded cable

The minimum switching frequency at which sinus filters can operate is 4 kHz. This is the default value when the sinus filter function is activated on the variable speed drive (please refer to the programming guide on our website [www.schneider-electric.com](http://www.schneider-electric.com)).

The output frequency must be less than 100 Hz.

At 100% load, the voltage drop is less than 8% with output frequency 50 Hz and switching frequency 4 kHz.

### Applications

For applications requiring:

- Long cable runs
- Motors connected in parallel
- Submersible pumps sensitive to dv/dt
- An intermediate transformer between the drive and the motor

### Sinus filters

For drives	Nominal current A	Degree of protection IP	Reference (1)	Weight kg/ lb
<b>Three-phase supply voltage: 200...240 V</b>				
ATV630U07M3	6	20	<b>VW3A5401</b>	10.000/ 22.046
ATV630U15M3...U30M3	15	20	<b>VW3A5402</b>	13.500/ 29.762
ATV630U40M3	25	20	<b>VW3A5403</b>	20.000/ 44.092
ATV630U55M3...D11M3	50	20	<b>VW3A5404</b>	35.000/ 77.162
ATV630D15M3...D22M3	95	20	<b>VW3A5405</b>	60.000/ 132.277
ATV630D30M3...D45M3	180	00	<b>VW3A5406</b>	90.000/ 198.416
ATV630D75M3 (2)	305	00	<b>VW3A5407</b>	134.000/ 295.419

(1) The filters are designed to operate in a switching frequency range of between 4 and 8 kHz.

(2) In "Normal Duty", apply a derating of 1 to the drive nominal power with a minimum switching frequency of 4 kHz.

For example: An ATV630D75M3 drive with sinus filter can be used on a 55 kW motor.

# Variable speed drives

## Altivar Process: Output filters

### Option: Sinus filters

Sinus filters (continued)				
For drives	Nominal current	Degree of protection	Reference (1) (2)	Weight
	A	IP		kg/ lb
<b>Three-phase supply voltage: 380...480 V</b>				
ATV630U07N4...U22N4 ATV650U07N4...U22N4 ATV650U07N4E...U22N4E	6	20	<b>VW3A5401</b>	10.000/ 22.046
ATV630U30N4...U55N4 ATV650U30N4...U55N4 ATV650U30N4E...U55N4E	15	20	<b>VW3A5402</b>	13.500/ 29.762
ATV630U75N4...D11N4 ATV650U75N4...D11N4 ATV650U75N4E...D11N4E	25	20	<b>VW3A5403</b>	20.000/ 44.092
ATV630D15N4...D22N4 ATV650D15N4...D22N4 ATV650D15N4E...D22N4E	50	20	<b>VW3A5404</b>	35.000/ 77.162
ATV630D30N4...D45N4 ATV650D30N4...D45N4 ATV650D30N4E...D45N4E	95	20	<b>VW3A5405</b>	60.000/ 132.277
ATV630D55N4...D90N4 ATV650D55N4...D90N4 ATV650D55N4E...D90N4E	180	00	<b>VW3A5406</b>	90.000/ 198.416
ATV630C13N4...C16N4 (3)	305	00	<b>VW3A5407</b>	134.000/ 295.419

IP 21 protection kit for IP 20 filters			
Description	For sinus filter	Reference	Weight kg/ lb
<b>Mechanical kit including cover and cable clamps</b>	<b>VW3A5401</b>	<b>VW3A53901</b>	1.000/ 2.205
	<b>VW3A5402</b>	<b>VW3A53902</b>	1.300/ 2.866
	<b>VW3A5403</b>	<b>VW3A53902</b>	1.300/ 2.866
	<b>VW3A5404</b>	<b>VW3A53903</b>	2.700/ 5.952
	<b>VW3A5405</b>	<b>VW3A53904</b>	3.200/ 7.055

(1) The filters are designed to operate in a switching frequency range of between 4 and 8 kHz.

(2) When used with **ATV650U07N4/N4E...D90N4/N4E** drives, the filter must be mounted in a separate enclosure to maintain IP 55 protection for the installation.

(3) In "Normal Duty", apply a derating of 1 to the drive nominal power with a minimum switching frequency of 4 kHz. For example:  
An ATV630C13N4 drive with sinus filter can be used on a 110 kW motor.  
An ATV630C16N4 drive with sinus filter can be used on a 132 kW motor.

## Applications

Circuit breaker/contactor/drive combinations help to ensure continuity of service in the installation with optimum safety.

The type of circuit breaker/contactor coordination selected can reduce maintenance costs in the event of a motor short-circuit on the drive input by minimizing the time required to make the necessary repairs and the cost of replacement equipment. The suggested combinations provide coordination according to the drive rating.

The drive controls the motor, provides a monitoring function against short-circuits between the drive and the motor, and helps protect the motor cable against overloads. Overload monitoring is provided by the drive's motor thermal monitoring function if this has been enabled. Otherwise, an external monitoring device such as a probe or thermal overload relay should be provided.

The circuit breaker helps protect the drive's power cables against short-circuits.



GV3L40

+



LC1D40A●●

+



ATV630D11M3

## IEC standard motor starters

Motor Power (1)	Drive Reference	Circuit breaker			Line contactor	
		Reference (2)	Rating	I <sub>rm</sub>	Reference (3) (4)	
kW	HP		A	A		
<b>Three-phase supply voltage: 200...240 V 50/60 Hz</b>						
0.75	1	ATV630U07M3	GV2L08	4	51	LC1D09●●
1.5	2	ATV630U15M3	GV2L10	6.3	78	LC1D09●●
2.2	3	ATV630U22M3	GV2L14	10	138	LC1D09●●
3	–	ATV630U30M3	GV2L16	14	170	LC1D18●●
4	5	ATV630U40M3	GV2L20	18	223	LC1D18●●
5.5	7.5	ATV630U55M3	GV2L22	25	327	LC1D25●●
7.5	10	ATV630U75M3	GV2L32	32	448	LC1D40A●●
11	15	ATV630D11M3	GV3L40	40	560	LC1D40A●●
15	20	ATV630D15M3	GV3L65	65	910	LC1D65A●●
18.5	25	ATV630D18M3	NS80HMA	80	1000	LC1D65A●●
22	30	ATV630D22M3	NS80HMA	80	1000	LC1D80●●
30	40	ATV630D30M3	NSX100●MA100	100	1300	LC1D95●●
37	50	ATV630D37M3	NSX160●MA150	150	1500	LC1D115●●
45	60	ATV630D45M3	NSX160●MA150	150	1500	LC1D150●●
55	75	ATV630D55M3	NSX250●MA220	220	2420	LC1F185●●
75	100	ATV630D75M3	NSX400● Micrologic 1.3-M	320	3500	LC1F265●●

(1) Standard power ratings for 230 V 50/60 Hz 4-pole motors.

The values expressed in HP conform to the NEC (National Electrical Code).

(2) For references to be completed, replace the dot with the letter corresponding to the breaking performance of the circuit breaker (F, N, H, S or L).

Breaking capacity of circuit breakers according to standard IEC 60947-2:

Circuit breaker	I <sub>cu</sub> (kA) for 200...240 V					
	F	N	H	S	L	
GV2L08...16	130	–	–	–	–	
GV2L20...32	130	–	–	–	–	
GV3L40...65	50	–	–	–	–	
NS80HMA	100	–	–	–	–	
NSX100●MA100	–	85	90	100	150	
NSX160●MA150	–	85	90	100	150	
NSX250●MA220	–	85	90	100	150	
NSX400● Micrologic 1.3-M	–	40	85	100	150	

(3) Composition of contactors:

LC1D09...D150: 3 poles + 1 NO auxiliary contact + 1 NC auxiliary contact

LC1F185...F265: 3 poles

To add auxiliary contacts or other accessories, please refer to the "Motor-starter solutions - Control and protection components" catalog.

(4) Replace ●● with the control circuit voltage code indicated in the table below:

	Volts ~	24	48	110	220	230	240
		LC1D09...D150	50 Hz	B5	E5	F5	M5
	60 Hz	B6	E6	F6	M6	–	U6
	50/60 Hz	B7	E7	F7	M7	P7	U7
LC1F185	50 Hz (LX1 coil)	B5	E5	F5	M5	P5	U5
	60 Hz (LX1 coil)	–	E6	F6	M6	–	U6
	40...400 Hz (LX9 coil)	–	E7	F7	M7	P7	U7
LC1F265	40...400 Hz (LX1 coil)	B7	E7	F7	M7	P7	U7

For other voltages available between 24 V and 660 V, or a DC control circuit, please contact our Customer Care Center.





NSX100FMA100

+



LC1D80●●

+



ATV630D45N4

## IEC standard motor starters

Motor Power (1)	Drive Reference	Circuit breaker Reference (2)	Rating	I <sub>rm</sub>	Line contactor Reference (4) (5)	
kW	HP		A	A		
<b>Three-phase supply voltage: 380...415 V 50/60 Hz</b>						
0.75	1	ATV630U07N4	GV2L07	2.5	33.5	LC1D09●●
1.5	2	ATV630U15N4	GV2L08	4	51	LC1D09●●
2.2	3	ATV630U22N4	GV2L10	6.3	78	LC1D09●●
3	–	ATV630U30N4	GV2L14	10	138	LC1D09●●
4	5	ATV630U40N4	GV2L14	10	138	LC1D09●●
5.5	7.5	ATV630U55N4	GV2L16	14	170	LC1D18●●
7.5	10	ATV630U75N4	GV2L20	18	223	LC1D18●●
11	15	ATV630D11N4	GV2L22	25	327	LC1D25●●
15	20	ATV630D15N4	GV3L32	32	448	LC1D25●●
18.5	25	ATV630D18N4	GV3L40	40	560	LC1D40A●●
22	30	ATV630D22N4	GV3L50	50	700	LC1D50A●●
30	40	ATV630D30N4	GV3L65	65	910	LC1D50A●●
37	50	ATV630D37N4	NS80HMA	80	1000	LC1D65A●●
45	60	ATV630D45N4	NSX100●MA100	100	1300	LC1D80●●
55	75	ATV630D55N4	NSX160●MA150	150	1500	LC1D115●●
75	100	ATV630D75N4	NSX160●MA150	150	1500	LC1D115●●
90	125	ATV630D90N4	NSX250●MA220	220	2420	LC1F185●●
110	150	ATV630C11N4	NSX250●MA220	220	2860	LC1F185●●
132	200	ATV630C13N4	NSX400● Micrologic 1.3-M	320	3500	LC1F265●●
160	250	ATV630C16N4	NSX400● Micrologic 1.3-M	320	4000	LC1F265●●

(1) Standard power ratings for 400 V 50/60 Hz 4-pole motors.

The values expressed in HP conform to the NEC (National Electrical Code).

(2) For references to be completed, replace the dot with the letter corresponding to the breaking performance of the circuit breaker (F, N, H, S or L).

Breaking capacity of circuit breakers according to standard IEC 60947-2:

Circuit breaker	I <sub>cu</sub> (kA) for 380...415 V	I <sub>cu</sub> (kA) for 380...415 V				
		F	N	H	S	L
GV2L07	100	–	–	–	–	–
GV2L08...14 (3)	130	–	–	–	–	–
GV2L14 (3)...22	50	–	–	–	–	–
GV3L32...65	50	–	–	–	–	–
NS80HMA	70	–	–	–	–	–
NSX100●MA100	–	36	50	70	100	150
NSX160●MA150	–	36	50	70	100	150
NSX250●MA220	–	36	50	70	100	150
NSX400● Micrologic 1.3-M	–	36	50	70	100	150

(3) GV2L14: I<sub>cu</sub> of 130 kA in combination with an ATV630U30N4, I<sub>cu</sub> of 20 kA with an ATV630U40N4.

(4) Composition of contactors:

LC1D09...D115: 3 poles + 1 NO auxiliary contact + 1 NC auxiliary contact

LC1F185...F265: 3 poles

To add auxiliary contacts or other accessories, please refer to the "Motor-starter solutions - Control and protection components" catalog.

(5) Replace ●● with the control circuit voltage code indicated in the table below:

	Volts ~	24	48	110	220	230	240
		B5	E5	F5	M5	P5	U5
LC1D09...D115	50 Hz	B5	E5	F5	M5	P5	U5
	60 Hz	B6	E6	F6	M6	–	U6
	50/60 Hz	B7	E7	F7	M7	P7	U7
LC1F185	50 Hz (LX1 coil)	B5	E5	F5	M5	P5	U5
	60 Hz (LX1 coil)	–	E6	F6	M6	–	U6
	40...400 Hz (LX9 coil)	–	E7	F7	M7	P7	U7
LC1F265	40...400 Hz (LX1 coil)	B7	E7	F7	M7	P7	U7

For other voltages available between 24 V and 660 V, or a DC control circuit, please contact our Customer Care Center.



NSX100FMA100

+



LC1D80

+



ATV650D45N4

## IEC standard motor starters

Motor Power (1)	Drive Reference	Circuit breaker Reference (2)	Rating	I <sub>rm</sub>	Line contactor Reference (4) (5) (6)	
kW	HP		A	A		
<b>Three-phase supply voltage: 380...415 V 50/60 Hz</b>						
0.75	1	ATV650U07N4/N4E	GV2L07	2.5	33.5	LC1D09
1.5	2	ATV650U15N4/N4E	GV2L08	4	51	LC1D09
2.2	3	ATV650U22N4/N4E	GV2L10	6.3	78	LC1D09
3	–	ATV650U30N4/N4E	GV2L14	10	138	LC1D09
4	5	ATV650U40N4/N4E	GV2L14	10	138	LC1D09
5.5	7.5	ATV650U55N4/N4E	GV2L16	14	170	LC1D18
7.5	10	ATV650U75N4/N4E	GV2L20	18	223	LC1D18
11	15	ATV650D11N4/N4E	GV2L22	25	327	LC1D25
15	20	ATV650D15N4/N4E	GV3L32	32	448	LC1D25
18.5	25	ATV650D18N4/N4E	GV3L40	40	560	LC1D40A
22	30	ATV650D22N4/N4E	GV3L50	50	700	LC1D50A
30	40	ATV650D30N4/N4E	GV3L65	65	910	LC1D50A
37	50	ATV650D37N4/N4E	NS80HMA	80	1000	LC1D65A
45	60	ATV650D45N4/N4E	NSX100MA100	100	1300	LC1D80
55	75	ATV650D55N4/N4E	NSX160MA150	150	1500	LC1D115
75	100	ATV650D75N4/N4E	NSX160MA150	150	1500	LC1D115
90	125	ATV650D90N4/N4E	NSX250MA220	220	2420	LC1F185

(1) Standard power ratings for 400 V 50/60 Hz 4-pole motors.

The values expressed in HP conform to the NEC (National Electrical Code).

(2) For references to be completed, replace the dot with the letter corresponding to the breaking performance of the circuit breaker (F, N, H, S or L).

Breaking capacity of circuit breakers according to standard IEC 60947-2:

Circuit breaker	I <sub>cu</sub> (kA) for 380...415 V					
	F	N	H	S	L	
GV2L07	100	–	–	–	–	
GV2L08...14 (3)	130	–	–	–	–	
GV2L14 (3)...22	50	–	–	–	–	
GV3L32...65	50	–	–	–	–	
NS80HMA	70	–	–	–	–	
NSX100MA100	–	36	50	70	100	150
NSX160MA150	–	36	50	70	100	150
NSX250MA220	–	36	50	70	100	150

(3) GV2L14: I<sub>cu</sub> of 130 kA in combination with an ATV650U30N4/N4E, I<sub>cu</sub> of 20 kA with an ATV650U40N4/N4E.

(4) Composition of contactors:

LC1D09...D115: 3 poles + 1 NO auxiliary contact + 1 NC auxiliary contact

LC1F185: 3 poles

To add auxiliary contacts or other accessories, please refer to the "Motor-starter solutions - Control and protection components" catalog.

(5) Replace ●● with the control circuit voltage code indicated in the table below:

	Volts ~	24	48	110	220	230	240
	LC1D09...D115	50 Hz	B5	E5	F5	M5	P5
60 Hz		B6	E6	F6	M6	–	U6
50/60 Hz		B7	E7	F7	M7	P7	U7
LC1F185	50 Hz (LX1 coil)	B5	E5	F5	M5	P5	U5
	60 Hz (LX1 coil)	–	E6	F6	M6	–	U6
	40...400 Hz (LX9 coil)	–	E7	F7	M7	P7	U7

For other voltages available between 24 V and 660 V, or a DC control circuit, please contact our Customer Care Center.

(6) When they are used with ATV650U07N4/N4E...D90N4/N4E drives, the motor starters must be installed in a separate enclosure to maintain the IP 55 protection degree of the installation.



GV2L08

+



LC1D09●●

+



ATV630U15N4

## IEC standard motor starters

Motor Power (1)	Drive Reference	Circuit breaker Reference (2)	Rating	I <sub>rm</sub>	Line contactor Reference (4) (5)	
kW	HP		A	A		
<b>Three-phase supply voltage: 440 V 50/60 Hz</b>						
0.75	1	ATV630U07N4	GV2L07	2.5	33.5	LC1D09●●
1.5	2	ATV630U15N4	GV2L08	4	51	LC1D09●●
2.2	3	ATV630U22N4	GV2L10	6.3	78	LC1D09●●
3	–	ATV630U30N4	GV2L10	6.3	78	LC1D09●●
4	5	ATV630U40N4	GV2L14	10	138	LC1D09●●
5.5	7.5	ATV630U55N4	GV2L16	14	170	LC1D18●●
7.5	10	ATV630U75N4	GV2L16	14	170	LC1D18●●
11	15	ATV630D11N4	GV2L22	25	327	LC1D25●●
15	20	ATV630D15N4	GV3L32	32	448	LC1D25●●
18.5	25	ATV630D18N4	GV3L40	40	560	LC1D40A●●
22	30	ATV630D22N4	GV3L50	50	700	LC1D50A●●
30	40	ATV630D30N4	GV3L65	65	910	LC1D50A●●
37	50	ATV630D37N4	GV3L66	65	910	LC1D65A●●
45	60	ATV630D45N4	NS80HMA	80	1000	LC1D80●●
55	75	ATV630D55N4	NSX100●MA100	100	1040	LC1D95●●
75	100	ATV630D75N4	NSX160●MA150	150	1500	LC1D115●●
90	125	ATV630D90N4	NSX250●MA220	150	1500	LC1D115●●

(1) Standard power ratings for 400 V 50/60 Hz 4-pole motors.

The values expressed in HP conform to the NEC (National Electrical Code).

(2) For references to be completed, replace the dot with the letter corresponding to the breaking performance of the circuit breaker (F, N, H, S or L).

Breaking capacity of circuit breakers according to standard IEC 60947-2:

Circuit breaker	I <sub>cu</sub> (kA) for 440 V					
	F	N	H	S	L	
GV2L07	100	–	–	–	–	
GV2L08...16 (3)	130	–	–	–	–	
GV2L16 (3)...22	20	–	–	–	–	
GV3L32...66	50	–	–	–	–	
NS80HMA	65	–	–	–	–	
NSX100●MA100	–	35	50	65	90	130
NSX160●MA150	–	35	50	65	90	130
NSX250●MA220	–	35	50	65	90	130

(3) GV2L16: I<sub>cu</sub> of 130 kA in combination with an ATV630U30N4, I<sub>cu</sub> of 20 kA with an ATV630U40N4.

(4) Composition of contactors:

LC1D09...D115: 3 poles + 1 NO auxiliary contact + 1 NC auxiliary contact

To add auxiliary contacts or other accessories, please refer to the "Motor-starter solutions - Control and protection components" catalog.

(5) Replace ●● with the control circuit voltage code indicated in the table below:

	Volts ~	24	48	110	220	230	240
LC1D09...D115	50 Hz	B5	E5	F5	M5	P5	U5
	60 Hz	B6	E6	F6	M6	–	U6
	50/60 Hz	B7	E7	F7	M7	P7	U7

For other voltages available between 24 V and 660 V, or a DC control circuit, please contact our Customer Care Center.

IEC standard motor starters						
Motor	Drive	Circuit breaker			Line contactor	
Power (1)	Reference	Reference (2)	Rating	I <sub>rm</sub>	Reference (3) (4)	
kW	HP		A	A		
<b>Three-phase supply voltage: 440 V 50/60 Hz</b>						
110	150	ATV630C11N4	NSX250●MA220	220	2420	LC1F185●●
132	200	ATV630C13N4	NSX250●MA220	220	2420	LC1F185●●
160	250	ATV630C16N4	NSX400● Micrologic 1.3-M	320	3500	LC1F265●●

(1) Standard power ratings for 400 V 50/60 Hz 4-pole motors.

The values expressed in HP conform to the NEC (National Electrical Code).

(2) For references to be completed, replace the dot with the letter corresponding to the breaking performance of the circuit breaker (F, N, H, S or L).

Breaking capacity of circuit breakers according to standard IEC 60947-2:

Circuit breaker	I <sub>cu</sub> (kA) for 440 V					
		F	N	H	S	L
NSX250●MA220	–	35	50	65	90	130
NSX400● Micrologic 1.3-M	–	30	42	65	90	130

(3) Composition of contactors:

LC1F185...F265: 3 poles To add auxiliary contacts or other accessories, please refer to the "Motor-starter solutions - Control and protection components" catalog.

(4) Replace ●● with the control circuit voltage code indicated in the table below:

	Volts ~	24	48	110	220	230	240
		LC1F185	50 Hz (LX1 coil)	B5	E5	F5	M5
	60 Hz (LX1 coil)	–	E6	F6	M6	–	U6
	40...400 Hz (LX9 coil)	–	E7	F7	M7	P7	U7
LC1F265	40...400 Hz (LX1 coil)	B7	E7	F7	M7	P7	U7

For other voltages available between 24 V and 660 V, or a DC control circuit, please contact our Customer Care Center.



NSX250•MA220

+



LC1D115••

+



ATV650D90N4

## IEC standard motor starters

Motor Power (1)	Drive Reference	Circuit breaker Reference (2)	Rating	I <sub>rm</sub>	Line contactor Reference (4) (5)	
kW	HP		A	A		
<b>Three-phase supply voltage: 440 V 50/60 Hz</b>						
0.75	1	ATV650U07N4/N4E	GV2L07	2.5	33.5	LC1D09••
1.5	2	ATV650U15N4/N4E	GV2L08	4	51	LC1D09••
2.2	3	ATV650U22N4/N4E	GV2L10	6.3	78	LC1D09••
3	–	ATV650U30N4/N4E	GV2L10	6.3	78	LC1D09••
4	5	ATV650U40N4/N4E	GV2L14	10	138	LC1D09••
5.5	7.5	ATV650U55N4/N4E	GV2L16	14	170	LC1D18••
7.5	10	ATV650U75N4/N4E	GV2L16	14	170	LC1D18••
11	15	ATV650D11N4/N4E	GV2L22	25	327	LC1D25••
15	20	ATV650D15N4/N4E	GV3L32	32	448	LC1D25••
18.5	25	ATV650D18N4/N4E	GV3L40	40	560	LC1D40A••
22	30	ATV650D22N4/N4E	GV3L50	50	700	LC1D50A••
30	40	ATV650D30N4/N4E	GV3L65	65	910	LC1D50A••
37	50	ATV650D37N4/N4E	GV3L66	65	910	LC1D65A••
45	60	ATV650D45N4/N4E	NS80HMA	80	1000	LC1D80••
55	75	ATV650D55N4/N4E	NSX100•MA100	100	1040	LC1D95••
75	100	ATV650D75N4/N4E	NSX160•MA150	150	1500	LC1D115••
90	125	ATV650D90N4/N4E	NSX250•MA220	150	1500	LC1D115••

(1) Standard power ratings for 400 V 50/60 Hz 4-pole motors.

The values expressed in HP conform to the NEC (National Electrical Code).

(2) For references to be completed, replace the dot with the letter corresponding to the breaking performance of the circuit breaker (F, N, H, S or L).

Breaking capacity of circuit breakers according to standard IEC 60947-2:

Circuit breaker	I <sub>cu</sub> (kA) for 440 V					
	F	N	H	S	L	
GV2L07	100	–	–	–	–	
GV2L08...16 (3)	130	–	–	–	–	
GV2L16 (3)...22	20	–	–	–	–	
GV3L32...66	50	–	–	–	–	
NS80HMA	65	–	–	–	–	
NSX100•MA100	–	35	50	65	90	130
NSX160•MA150	–	35	50	65	90	130
NSX250•MA220	–	35	50	65	90	130

(3) GV2L16: I<sub>cu</sub> of 130 kA in combination with an ATV650U30N4/N4E, I<sub>cu</sub> of 20 kA with an ATV650U40N4/N4E.

(4) Composition of contactors:

LC1D09...D115: 3 poles + 1 NO auxiliary contact + 1 NC auxiliary contact

To add auxiliary contacts or other accessories, please refer to the "Motor-starter solutions - Control and protection components" catalog.

(5) Replace •• with the control circuit voltage code indicated in the table below:

	Volts ~	24	48	110	220	230	240
LC1D09...D115	50 Hz	B5	E5	F5	M5	P5	U5
	60 Hz	B6	E6	F6	M6	–	U6
	50/60 Hz	B7	E7	F7	M7	P7	U7

For other voltages available between 24 V and 660 V, or a DC control circuit, please contact our Customer Care Center.

(6) When they are used with ATV650U07N4/N4E...D90N4/N4E drives, the motor starters must be installed in a separate enclosure to maintain the IP 55 protection degree of the installation.

# Variable speed drives

## Altivar Process

### Compact Drive Systems



ATV660C31Q4X1

#### Presentation

##### Concept

The ATV660 Compact Drive Systems range offers standard enclosures ready to connect. The modular construction makes it possible to adapt the enclosure unit to individual requirements. The low-cost enclosure variant simplifies design and allows quick installation and commissioning of the drive.

##### Power versus overload

For optimum adaptation to the application you can choose between two overload modes:

- Normal duty: High continuous power with an overload capability of 10% (for pumps, fans, etc.)
- Heavy duty: Reduced continuous power with an increased overload capability of 50% for drives with enhanced requirements regarding overload capability, starting torque, load impacts and control performance (such as compressors, mixers, rotary blowers, etc.)

##### Standard equipment

The standard compact offer contains frequency inverter modules, semiconductor fuses, a main switch, a line reactor to reduce the harmonics, a motor choke to protect the motor and spacious mains and motor bars for connecting the power cables.

The design is based on the ready-assembled Sarel "Spacial SF" enclosures with a graphic operating panel integrated in the enclosure door.

##### Compact dimensions

Inside the enclosure there is an easily accessible and spaciouly designed control panel with the control components. It has compact dimensions, nevertheless there is enough space for additional extensions and accessibility for maintenance.

#### Device features

##### Enclosure system

The ready-assembled Sarel "Spacial SF" enclosure with additional internal reinforcing elements and separate cooling air channels provides optimum cooling of the built-in frequency inverter modules and maximum compactness at the same time.

##### Cooling concept

The power section components are cooled in a separate cooling air channel. About 90% of the heat losses are evacuated via this channel. The inside of the enclosure is cooled via fans in the enclosure door.

When using the "IP 54 increased protection degree" option, the separate air supply for the power section comes through the enclosure plinth.

##### Connection

The power cables are connected on the mains side and motor side to spaciouly designed bars. The cable strain relief is realized via another bar with solid metal clamps. Each device is equipped with an EMC screen bar for correct shielding connection. In the standard design, the cables are connected at the bottom.

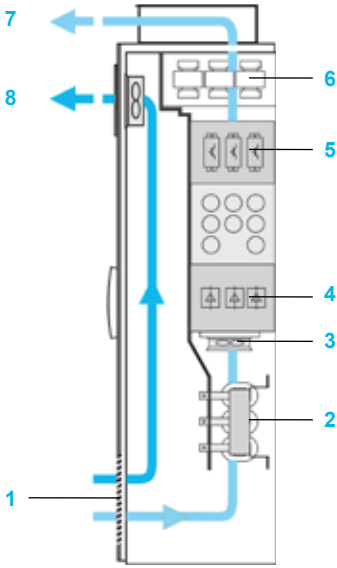


Cooling concept



# Variable speed drives

## Altivar Process Compact Drive Systems



IP 23 enclosure

### Protection degrees

The standard design of Altivar Process Compact Drive Systems complies with the IP 23 protection degree. This solution provides optimum cooling of the built-in frequency inverter modules and power components as well as maximum compactness.

For operation in harsh ambient conditions, the increased IP 54 protection degree is available as an option. This solution consists of a clearly specified and tested cooling system with a separate cooling air channel which provides excellent reliability.

About 90% of the heat losses are evacuated via the separate cooling air channel. The inside of the enclosure is cooled via fans located in the enclosure door.

### Standard IP 23 enclosure design

In order to avoid internal air short-circuits, the power sections of the components are located in the main cooling air channel.

The cooling air intake comes from a grid located in the bottom of the enclosure door. The internal fan, which is in a separate air channel, provides cooling of the power section. The air then comes out through the top of the enclosure.

The heat losses from the control section are evacuated by a fan in the enclosure door.

The incoming air temperature must be between 0°C and 40°C (-10°C with enclosure heating) and can reach +50°C with derating (class 3K3 according to IEC/EN 60721-3-3).

IP 23 enclosures comprise:

- 1 An air intake (without filter mat) via a grid on the bottom of the enclosure door
- 2 A line reactor
- 3 Fans for the power section
- 4 A rectifier module
- 5 An inverter module
- 6 A dv/dt filter choke
- 7 An air outlet via a metal cover with protection against water splashes on the enclosure roof
- 8 An air outlet (without filter mat) with fans for the control section

### Increased IP 54 protection degree

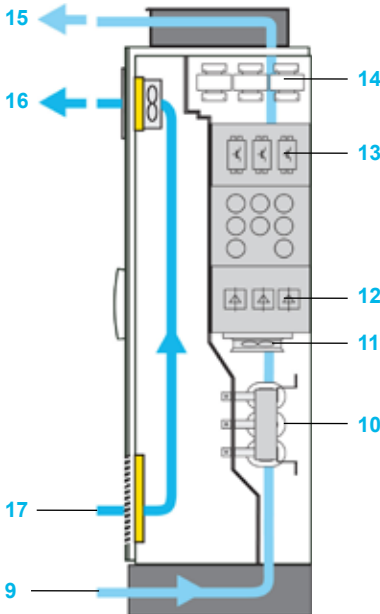
With the increased IP 54 protection degree with separate channels, the cooling air intake comes from the floor and goes out through the enclosure roof.

The control section is cooled by filter fans located in the enclosure door.

The incoming air temperature must be between 0°C and 40°C (-10°C with enclosure heating) and can reach +50°C with derating (class 3K3 according to IEC/EN 60721-3-3).

IP 54 enclosures are composed of:

- 9 An air intake for the power section via the enclosure plinth
- 10 A line reactor
- 11 Fans for the power section
- 12 A rectifier module
- 13 An inverter module
- 14 A dv/dt filter choke
- 15 An air outlet via a metal cover with protection against water splashes on the enclosure roof
- 16 An air outlet (with filter mat) with fans for the control section
- 17 An air intake grid (with filter mat) for the control section



IP 54 enclosure

# Variable speed drives

## Altivar Process

### Compact Drive Systems



Additional enclosure allowing cabling from the bottom

#### Modular offer

This consists of:

- The standard compact offer
- One or more options (see pages 66 to 69)

#### Options (Light ETO)

Some of these options depend on the drive rating. They can be integrated without any need for modifications to the enclosure:

- Increased IP 54 protection degree
- Enclosure plinth
- Additional enclosure allowing cabling from the top or from the bottom
- Enclosure lighting, heating
- "Local/remote" key switch
- Ethernet port on front door
- Discrete and analog I/O modules and relay output module
- Communication modules for various fieldbus systems
- STO - SIL 3 Stop category 0 or 1
- Indicator lights on front door
- Motor/bearing temperature monitoring
- dv/dt filters for long motor cables
- Motor heating
- Circuit breaker
- Undervoltage coil for circuit breaker 230 V
- Motor for circuit breaker 230 V
- Automated mains disconnection via a circuit breaker
- Setting for 415 V + 10%
- Safety labels in the local language

#### Further design variations (ETO)

These options depend on the drive rating. Some may lead to modification of the size of the enclosure:

- Different ranges of supply voltages
- Multipulse supply (12-pulse)
- Design without a main switch
- Increased short-circuit strength (100 kA)
- Air intake from the back
- Other enclosure colors
- Customized documentation and labeling
- Reinforced or seaworthy packaging
- Design for IT mains
- Motor contactor
- Remote monitoring
- Etc.

# Variable speed drives

## Altivar Process

### Compact Drive Systems



ATV660C16Q4X1

IP 23 three-phase 380...415 V Compact Drive Systems							
Motor	Line supply			Altivar Process			
Power indicated on rating plate (1)	Line current (2)	Apparent power	Max. prospective line Isc	Max. continuous current (1)	Max. transient current for 60 s	Reference (1)	Weight
ND: Normal duty (3)							
HD: Heavy duty (4)							
kW	A	kVA	kA	A	A		kg/lb
<b>THDI ≤ 44% at 100% load</b>							
ND 110	195	135	50	211	232	ATV660C11Q4X1	300.000/ 661.386
HD 90	164	113	50	173	260		
ND 132	232	161	50	250	275	ATV660C13Q4X1	300.000/ 661.386
HD 110	197	136	50	211	317		
ND 160	277	192	50	302	332	ATV660C16Q4X1	300.000/ 661.386
HD 132	232	161	50	250	375		
ND 200	349	242	50	370	407	ATV660C20Q4X1	400.000/ 881.848
HD 160	286	198	50	302	453		
ND 250	432	299	50	477	525	ATV660C25Q4X1	400.000/ 881.848
HD 200	353	244	50	370	555		
ND 315	538	373	50	590	649	ATV660C31Q4X1	400.000/ 881.848
HD 250	432	299	50	477	716		
ND 355	611	423	50	660	726	ATV660C35Q4X1	650.000/ 1433.004
HD 280	489	339	50	520	780		
ND 400	681	472	50	730	803	ATV660C40Q4X1	650.000/ 1433.004
HD 315	545	378	50	590	885		
ND 450	764	529	50	830	913	ATV660C45Q4X1	650.000/ 1433.004
HD 355	611	423	50	660	990		
ND 500	846	586	50	900	990	ATV660C50Q4X1	650.000/ 1433.004
HD 400	681	472	50	730	1095		
ND 560	948	656	50	1020	1122	ATV660C56Q4X1	850.000/ 1873.928
HD 450	767	531	50	830	1245		
ND 630	1058	733	50	1140	1254	ATV660C63Q4X1	850.000/ 1873.928
HD 500	849	588	50	900	1350		
ND 710	1192	826	50	1260	1386	ATV660C71Q4X1	1100.00/ 2425.083
HD 560	951	659	50	1020	1530		
ND 800	1335	925	50	1420	1562	ATV660C80Q4X1	1100.00/ 2425.083
HD 630	1061	735	50	1140	1710		

(1) These values are given for a nominal switching frequency of 2.5 kHz for use in continuous operation.

The switching frequency is adjustable from 2...8 kHz for all ratings.

Above 2.5 kHz, the drive will automatically reduce the switching frequency in the event of an excessive temperature rise. For continuous operation above the nominal switching frequency, derate the nominal drive current (see the derating curves on our website [www.schneider-electric.com](http://www.schneider-electric.com)).

(2) Typical value for the indicated motor power and for the maximum prospective line Isc.

(3) Values given for applications requiring a slight overload (up to 110%).

(4) Values given for applications requiring a significant overload (up to 150%).

**Note:** Consult the summary tables of possible drive, option, and accessory combinations (see page 66).



ATV680C16Q4X1

#### Presentation

##### Concept

The ATV680 Low Harmonic Drive Systems are used when drives need to have particularly low mains harmonics.

Schneider Electric has developed a concept based on a 3-level technology that reduces the total current distortion factor (THDI) to a value under 5%.

The Low Harmonic Drive Systems were conceived to fulfill stringent requirements as regards THDI. The ATV680 range is an optimum solution for energy efficiency and process optimization.

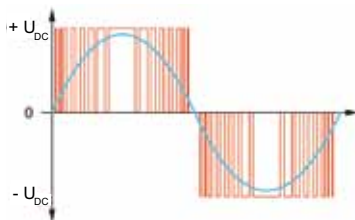
The modular design makes it possible to adapt the enclosure unit to individual requirements. It simplifies planning and allows quick installation and commissioning of the drive.

##### Standard equipment

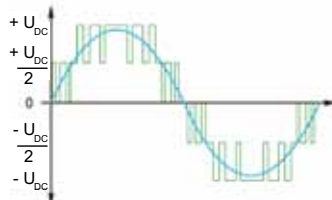
The Low Harmonic offer contains active infeed modules as well as frequency inverter modules, filter components, semiconductor fuses, a main switch, a dv/dt filter choke for motor protection and spacious mains and motor bars for connecting the power cables.

The design is based on the ready-assembled Sarel "Spacial SF" enclosures with a graphic operating panel integrated in the enclosure door.

Inside the enclosure there is an easily accessible and spaciouly designed control panel with the control components. It has compact dimensions, nevertheless there is enough space for additional extensions and accessibility for maintenance.



2-level technology



3-level technology

#### Device features

##### Enhanced motor lifetime due to the 3-level concept

The 3-level technology of the active mains rectifier reduces the voltage load at the motor significantly, compared to other Low Harmonic frequency inverters. The fluctuating adaptation of the DC link voltage helps extend the motor lifetime.

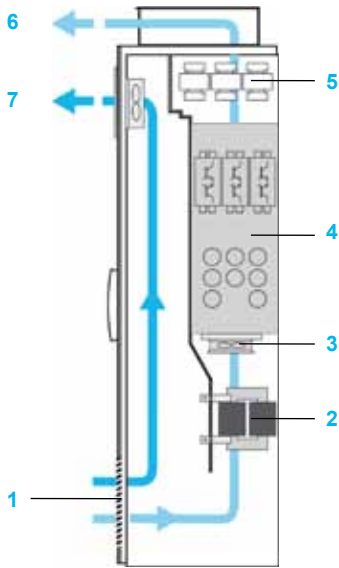
##### Reduced losses due to the 3-level concept

In comparison with the traditional circuit structure of active mains rectifiers, the switching frequency is increased and the current load is reduced at the same time when using 3-level technology.

##### Compact dimensions due to the 3-level concept

A significant advantage of the 3-level technology is the reduced dimensions of the integrated filter components. Due to the increased switching frequency and to its location inside the forced cooling air channel, the dimensions of the filter can be almost halved.

## Variable speed drives Altivar Process Low Harmonic Drive Systems



IP 23 enclosure

### Protection degrees

The standard design of the Altivar Process Low Harmonic Drive Systems complies with the IP 23 protection degree. This solution provides optimum cooling of the built-in frequency inverter modules and power components as well as maximum compactness.

For operation in harsh ambient conditions, the increased IP 54 protection degree is available as an option. This solution consists of a clearly specified and tested cooling system with a separate cooling air channel which provides excellent reliability.

About 90% of the heat losses are evacuated via the separate cooling air channel. The inside of the enclosure is cooled via fans located in the enclosure door.

### Standard IP 23 enclosure design

In order to avoid internal air short-circuits, the power sections of the components are located in the main cooling air channel.

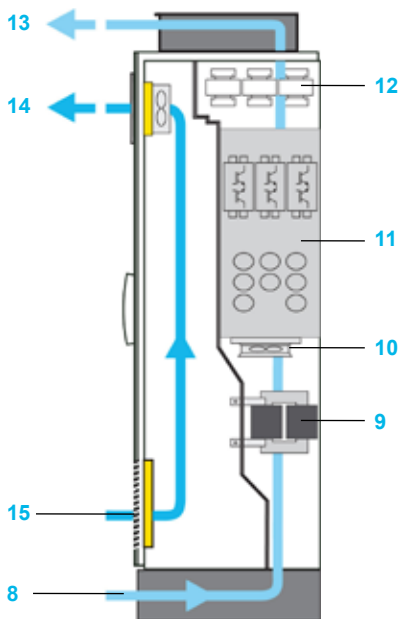
The cooling air intake comes from a grid located in the bottom of the enclosure door. The internal fan, which is in a separate air channel, provides cooling of the power section. The air then comes out through the top of the enclosure.

The heat losses from the control section are evacuated by a fan in the enclosure door.

The incoming air temperature must be between 0°C and 40°C (-10°C with enclosure heating) and can reach +50°C with derating (class 3K3 according to IEC/EN 60721-3-3).

IP 23 enclosures comprise:

- 1 An air intake (without filter mat) via a grid on the bottom of the enclosure door
- 2 Filter components
- 3 Fans for the power section
- 4 An Active Front End module
- 5 A dv/dt filter choke
- 6 An air outlet via a metal cover with protection against water splashes on the enclosure roof
- 7 An air outlet (without filter mat) with fans for the control section



IP 54 enclosure

### Increased IP 54 protection degree

With the increase IP 54 protection degree with separate channels the cooling air intake comes from the floor and goes out through the enclosure roof.

The control section is cooled by filter fans located in the enclosure door.

The incoming air temperature must be between 0°C and 40°C (-10°C with enclosure heating) and can reach +50°C with derating (class 3K3 according to IEC/EN 60721-3-3).

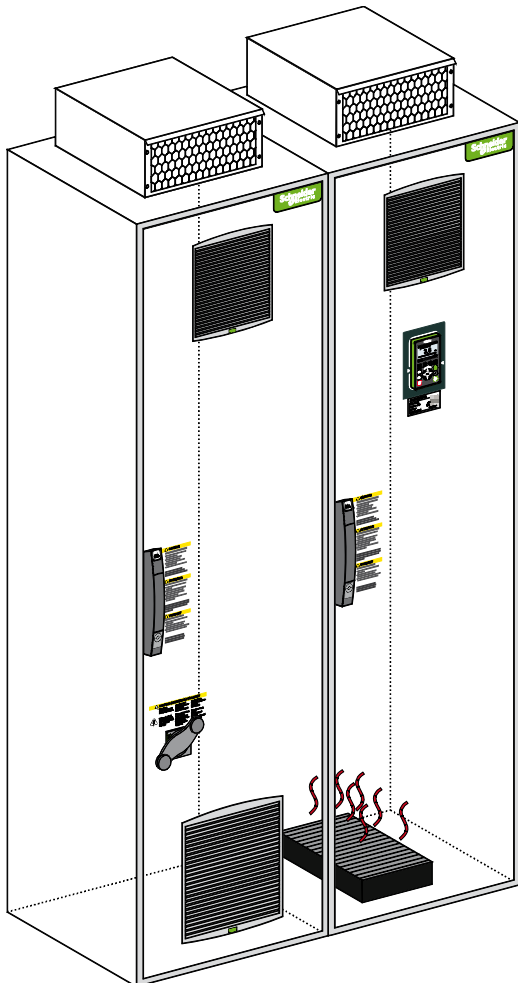
IP 54 enclosures comprise:

- 8 An air intake for the power section via the enclosure plinth
- 9 Filter components
- 10 Fans for the power section
- 11 An Active Front End module
- 12 A dv/dt filter choke
- 13 An air outlet via a metal cover with protection against water splashes on the enclosure roof
- 14 An air outlet (with filter mat) with fans for the control section
- 15 An air intake grid (with filter mat) for the control section

# Variable speed drives

## Altivar Process

### Low Harmonic Drive Systems



Enclosure heating

#### Modular offer

This consists of:

- The standard Low Harmonic offer
- One or more options (see pages 66 to 69)

#### Options (Light ETO)

Some of these options depend on the drive rating. They can be integrated without any need for modifications to the enclosure:

- Increased IP 54 protection degree
- Enclosure plinth
- Additional enclosure allowing cabling from the top or from the bottom
- Enclosure lighting, heating
- "Local/remote" key switch
- Ethernet port on front door
- Discrete and analog I/O modules and relay output module
- Communication modules for various fieldbus systems
- STO - SIL 3 Stop category 0 or 1
- Indicator lights on front door
- Motor/bearing temperature monitoring
- dv/dt filters for long motor cables
- Motor heating
- Setting for 415 V + 10%

#### Further design variations (ETO)

These options depend on the drive rating. Some will lead to modification of the size of the enclosure:

- Different ranges of supply voltages
- Multipulse supply (12-pulse)
- Design without a main switch
- Increased short-circuit strength (100 kA)
- Air intake from the back
- Other enclosure colors
- Customized documentation and labeling
- Stronger or seaworthy packaging
- Design for IT mains
- Motor contactor
- Remote monitoring
- Etc.

# Variable speed drives

## Altivar Process

### Low Harmonic Drive Systems



ATV680C16Q4X1

IP 23 three-phase 380...415 V Low Harmonic Drive Systems							
Motor	Line supply			Altivar Process			
Power indicated on rating plate (1)	Line current (2)	Apparent power	Max. prospective line Isc	Max. continuous current (1)	Max. transient current for 60 s	Reference (1)	Weight
ND: Normal duty (3)							
HD: Heavy duty (4)							
kW	A	kVA	kA	A	A		kg/lb
<b>THDI ≤ 5% at 100% load</b>							
ND 110	175	121	50	211	232	ATV680C11Q4X1	400.000/ 881.848
HD 90	144	100	50	173	260		
ND 132	208	144	50	250	275	ATV680C13Q4X1	400.000/ 881.848
HD 110	174	121	50	211	317		
ND 160	252	174	50	302	332	ATV680C16Q4X1	400.000/ 881.848
HD 132	208	144	50	250	375		
ND 200	313	217	50	370	407	ATV680C20Q4X1	700.000/ 1543.235
HD 160	252	174	50	302	453		
ND 250	389	270	50	477	525	ATV680C25Q4X1	700.000/ 1543.235
HD 200	313	217	50	370	555		
ND 315	491	340	50	590	649	ATV680C31Q4X1	700.000/ 1543.235
HD 250	389	270	50	477	716		
ND 355	553	383	50	660	726	ATV680C35Q4X1	1150.000/ 2535.314
HD 280	436	302	50	520	780		
ND 400	620	429	50	730	803	ATV680C40Q4X1	1150.000/ 2535.314
HD 315	491	340	50	590	885		
ND 450	697	483	50	830	913	ATV680C45Q4X1	1150.000/ 2535.314
HD 355	553	383	50	660	990		
ND 500	775	537	50	900	990	ATV680C50Q4X1	1150.000/ 2535.314
HD 400	620	429	50	730	1095		
ND 560	868	601	50	1020	1122	ATV680C56Q4X1	1450.000/ 3196.700
HD 450	697	483	50	830	1245		
ND 630	971	673	50	1140	1254	ATV680C63Q4X1	1450.000/ 3196.700
HD 500	775	537	50	900	1350		
ND 710	1094	758	50	1260	1386	ATV680C71Q4X1	1950.000/ 4299.011
HD 560	868	601	50	1020	1530		
ND 800	1227	850	50	1420	1562	ATV680C80Q4X1	1950.000/ 4299.011
HD 630	971	673	50	1140	1710		

(1) These values are given for a nominal switching frequency of 2.5 kHz for use in continuous operation.

The switching frequency is adjustable from 2...8 kHz for all ratings.

Above 2.5 kHz, the drive will automatically reduce the switching frequency in the event of an excessive temperature rise. For continuous operation above the nominal switching frequency, derate the nominal drive current (see the derating curves on our website [www.schneider-electric.com](http://www.schneider-electric.com)).

(2) Typical value for the indicated motor power and for the maximum prospective line Isc.

(3) Values given for applications requiring a slight overload (up to 110%).

(4) Values given for applications requiring a significant overload (up to 150%).

**Note:** Consult the summary tables of possible drive, option, and accessory combinations (see page 66).





VW3AP1601

**Common options (1)**

Description	Reference	Weight kg/lb
<b>Enclosure options</b>		
Enclosure lighting (2)	VW3AP1601	0.500/ 1.102
<b>Control options</b>		
“Local/remote” key switch	VW3AP1801	0.200/ 0.441
Ethernet port on front door	VW3AP1807	0.200/ 0.441
<b>I/O expansion modules</b>		
Expansion module with additional I/O	VW3AP3203	0.200/ 0.441
Expansion module with relay outputs	VW3AP3204	0.200/ 0.441
<b>Communication modules</b>		
Profibus DP communication module	VW3AP3607	0.200/ 0.441
CANopen Daisy Chain communication module	VW3AP3608	0.200/ 0.441
DeviceNet communication module	VW3AP3609	0.200/ 0.441
CANopen SUB-D9 communication module	VW3AP3618	0.200/ 0.441
CANopen communication module with screw terminals	VW3AP3628	0.200/ 0.441
PROFINET communication module	VW3AP3627	0.200/ 0.441
Modbus TCP and EtherNet/IP communication module	VW3AP3720	0.200/ 0.441
<b>Safety functions</b>		
Safe Torque Off STO - SIL 3 Stop category 0	VW3AP1502	0.200/ 0.441
Safe Torque Off STO - SIL 3 Stop category 1	VW3AP1503	0.500/ 1.102
<b>Display options</b>		
Indicator lights on front door	VW3AP0421	0.200/ 0.441
<b>Motor options</b>		
PTC relay for motor monitoring	VW3AP2001	0.200/ 0.441
PTC relay with ATEX certification for motor monitoring (3)	VW3AP2002	0.200/ 0.441
PT100/1000/KTY relay for motor monitoring	VW3AP2003	0.200/ 0.441
PT100/1000/KTY relay for bearing monitoring	VW3AP2004	0.200/ 0.441
Motor heating	VW3AP2101	0.300/ 0.661
<b>Mains supply</b>		
Setting for 415 V + 10%	VW3AP0415	–



VW3AP1502

**Safety labels**

English and German safety labels	VW3AP0561	–
English and Italian safety labels	VW3AP0562	–
English and Spanish safety labels	VW3AP0563	–
English and Dutch safety labels	VW3AP0564	–
English and Chinese safety labels	VW3AP0565	–
English and Russian safety labels	VW3AP0566	–
English and Turkish safety labels	VW3AP0567	–
English and Polish safety labels	VW3AP0568	–
English and Portuguese safety labels	VW3AP0569	–

(1) These options cannot be ordered alone. For any other configuration, please contact our Customer Care Center.

(2) Not available for ATV660C11Q4X1...C16Q4X1.

(3) ATEX: please refer to the ATEX guide available on our website [www.schneider-electric.com](http://www.schneider-electric.com).

## Variable speed drives

Altivar Process

Drive Systems

Options dependent on the drive rating



VW3AP0801

Options dependent on the drive rating (1)			
Description	For enclosure	Reference	Weight kg/lb
<b>Enclosure options</b>			
Enclosure heating	ATV660C11Q4X1...C31Q4X1	VW3AP0501	1.500/ 3.307
	ATV660C35Q4X1...C50Q4X1	VW3AP0502	3.000/ 6.614
	ATV660C56Q4X1...C80Q4X1	VW3AP0503	4.500/ 9.921
	ATV680C11Q4X1...C16Q4X1	VW3AP0551	2.000/ 4.409
	ATV680C20Q4X1...C31Q4X1	VW3AP0552	3.000/ 6.614
	ATV680C35Q4X1...C50Q4X1	VW3AP0553	5.000/ 11.023
	ATV680C56Q4X1...C63Q4X1	VW3AP0554	6.000/ 13.228
	ATV680C71Q4X1...C80Q4X1	VW3AP0555	8.000/ 17.637
Increased IP 54 protection degree	ATV660C11Q4X1...C16Q4X1	VW3AP0301	13.000/ 28.660
	ATV660C20Q4X1...C31Q4X1	VW3AP0302	16.000/ 35.274
	ATV660C35Q4X1...C50Q4X1	VW3AP0303	19.000/ 41.888
	ATV660C56Q4X1...C63Q4X1	VW3AP0304	32.000/ 70.548
	ATV660C71Q4X1...C80Q4X1	VW3AP0305	35.000/ 77.162
	ATV680C11Q4X1...C16Q4X1	VW3AP0351	16.000/ 35.274
	ATV680C20Q4X1...C31Q4X1	VW3AP0352	29.000/ 63.934
	ATV680C35Q4X1...C50Q4X1	VW3AP0353	45.000/ 99.208
	ATV680C56Q4X1...C63Q4X1	VW3AP0354	58.000/ 127.668
	ATV680C71Q4X1...C80Q4X1	VW3AP0355	74.000/ 163.142
Enclosure plinth for basic device	ATV660C11Q4X1...C16Q4X1	VW3AP0801	9.000/ 19.842
	ATV660C20Q4X1...C31Q4X1	VW3AP0802	11.000/ 24.251
	ATV660C35Q4X1...C50Q4X1	VW3AP0803	13.000/ 28.660
	ATV660C56Q4X1...C63Q4X1	VW3AP0804	22.000/ 48.502
	ATV660C71Q4X1...C80Q4X1	VW3AP0805	24.000/ 52.911
	ATV680C11Q4X1...C16Q4X1	VW3AP0851	11.000/ 24.251
	ATV680C20Q4X1...C31Q4X1	VW3AP0852	20.000/ 44.093
	ATV680C35Q4X1...C50Q4X1	VW3AP0853	31.000/ 68.343
	ATV680C56Q4X1...C63Q4X1	VW3AP0854	40.000/ 88.185
	ATV680C71Q4X1...C80Q4X1	VW3AP0855	54.000/ 119.050

(1) These options cannot be ordered alone. For any other configuration, please contact our Customer Care Center.

# Variable speed drives

Altivar Process

Drive Systems

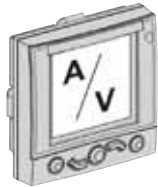
Options dependent on the drive rating



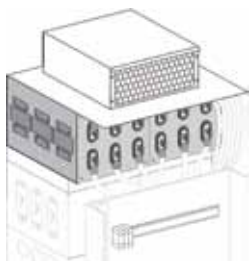
VW3AP0707

## Options dependent on the drive rating (continued) (1)

Description	For enclosure	Reference	Weight kg/lb
<b>Enclosure options</b>			
<b>Additional enclosure allowing cabling from the top</b>	ATV660C11Q4X1...C31Q4X1	<b>VW3AP0701</b>	85.000/ 187.393
	ATV660C35Q4X1...C80Q4X1	<b>VW3AP0702</b>	100.000/ 220.462
	ATV680C11Q4X1...C31Q4X1	<b>VW3AP0751</b>	85.000/ 187.393
	ATV680C35Q4X1...C80Q4X1	<b>VW3AP0752</b>	100.000/ 220.462
<b>Additional enclosure allowing cabling from the top with plinth</b>	ATV660C11Q4X1...C31Q4X1	<b>VW3AP0704</b>	94.000/ 207.234
	ATV660C35Q4X1...C80Q4X1	<b>VW3AP0705</b>	111.000/ 244.713
	ATV680C11Q4X1...C31Q4X1	<b>VW3AP0754</b>	94.000/ 207.234
	ATV680C35Q4X1...C80Q4X1	<b>VW3AP0755</b>	111.000/ 244.713
<b>Additional enclosure allowing cabling from the bottom</b>	ATV660C11Q4X1...C31Q4X1	<b>VW3AP0707</b>	85.000/ 187.393
	ATV660C35Q4X1...C80Q4X1	<b>VW3AP0708</b>	100.000/ 220.462
	ATV680C11Q4X1...C31Q4X1	<b>VW3AP0757</b>	85.000/ 187.393
	ATV680C35Q4X1...C80Q4X1	<b>VW3AP0758</b>	100.000/ 220.462
<b>Additional enclosure allowing cabling from the bottom with plinth</b>	ATV660C11Q4X1...C31Q4X1	<b>VW3AP0710</b>	94.000/ 207.234
	ATV660C35Q4X1...C80Q4X1	<b>VW3AP0711</b>	111.000/ 244.713
	ATV680C11Q4X1...C31Q4X1	<b>VW3AP0760</b>	94.000/ 207.234
	ATV680C35Q4X1...C80Q4X1	<b>VW3AP0761</b>	111.000/ 244.713
<b>Display options</b>			
<b>Front display module (FDM)</b>	ATV660C11Q4X1...C13Q4X1	<b>VW3AP0401</b>	0.500/ 1.102
	ATV660C16Q4X1...C20Q4X1	<b>VW3AP0402</b>	0.500/ 1.102
	ATV660C25Q4X1...C31Q4X1	<b>VW3AP0403</b>	0.500/ 1.102
	ATV660C35Q4X1...C50Q4X1	<b>VW3AP0404</b>	0.500/ 1.102
	ATV660C56Q4X1...C80Q4X1	<b>VW3AP0405</b>	0.500/ 1.102
<b>Motor options</b>			
<b>150 m dv/dt filter choke</b>	ATV660C11Q4X1...C16Q4X1	<b>VW3AP0601</b>	25.000/ 55.116
	ATV680C11Q4X1...C16Q4X1		
	ATV660C20Q4X1...C31Q4X1	<b>VW3AP0602</b>	50.000/ 110.231
<b>300 m dv/dt filter choke</b>	ATV660C11Q4X1...C16Q4X1	<b>VW3AP0611</b>	28.000/ 61.729
	ATV680C11Q4X1...C16Q4X1		
	ATV660C20Q4X1...C31Q4X1	<b>VW3AP0612</b>	56.000/ 123.459
	ATV680C20Q4X1...C31Q4X1		
	ATV660C35Q4X1...C50Q4X1	<b>VW3AP0613</b>	84.000/ 185.188
	ATV680C35Q4X1...C50Q4X1		
	ATV660C56Q4X1...C63Q4X1	<b>VW3AP0614</b>	112.000/ 246.918
ATV680C56Q4X1...C63Q4X1			
ATV660C71Q4X1...C80Q4X1	<b>VW3AP0615</b>	140.000/ 308.647	
ATV680C71Q4X1...C80Q4X1			



VW3AP0403



VW3AP0612

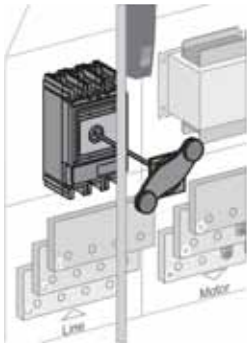
(1) These options cannot be ordered alone. For any other configuration, please contact our Customer Care Center.

## Variable speed drives

Altivar Process

Drive Systems

Options dependent on the drive rating



VW3AP0104

Options dependent on the drive rating (continued) (1)			
Description	For enclosure	Reference	Weight kg/lb
<b>Mains supply</b>			
<b>Circuit breaker</b>	ATV660C11Q4X1...C20Q4X1	<b>VW3AP0101</b>	2.000/ 4.409
	ATV660C25Q4X1...C31Q4X1	<b>VW3AP0102</b>	2.000/ 4.409
	ATV660C35Q4X1...C40Q4X1	<b>VW3AP0103</b>	1.000/ 2.204
	ATV660C45Q4X1...C50Q4X1	<b>VW3AP0104</b>	1.000/ 2.204
	ATV660C56Q4X1...C63Q4X1	<b>VW3AP0105</b>	1.000/ 2.204
	ATV660C71Q4X1...C80Q4X1	<b>VW3AP0106</b>	1.000/ 2.204
<b>Undervoltage coil for circuit breaker 230 V</b>	ATV660C11Q4X1...C31Q4X1	<b>VW3AP0201</b>	0.100/ 0.220
	ATV660C35Q4X1...C80Q4X1	<b>VW3AP0202</b>	0.100/ 0.220
<b>Motor for circuit breaker 230 V</b>	ATV660C11Q4X1...C31Q4X1	<b>VW3AP0251</b>	4.000/ 8.818
	ATV660C35Q4X1...C40Q4X1	<b>VW3AP0252</b>	4.000/ 8.818
	ATV660C45Q4X1...C50Q4X1	<b>VW3AP0253</b>	7.000/ 15.432
	ATV660C56Q4X1...C63Q4X1	<b>VW3AP0254</b>	7.000/ 15.432
	ATV660C71Q4X1...C80Q4X1	<b>VW3AP0255</b>	7.000/ 15.432
<b>Automated mains disconnection</b>	ATV660C11Q4X1...C20Q4X1	<b>VW3AP0271</b>	4.500/ 9.921
	ATV660C25Q4X1...C31Q4X1	<b>VW3AP0272</b>	4.500/ 9.921
	ATV660C35Q4X1...C40Q4X1	<b>VW3AP0273</b>	7.500/ 16.535
	ATV660C45Q4X1...C50Q4X1	<b>VW3AP0274</b>	7.500/ 16.535
	ATV660C56Q4X1...C63Q4X1	<b>VW3AP0275</b>	7.500/ 16.535
	ATV660C71Q4X1...C80Q4X1	<b>VW3AP0276</b>	7.500/ 16.535

(1) These options cannot be ordered alone. For any other configuration, please contact our Customer Care Center.

## Variable speed drives

### Altivar Process

IP 21 drives: 200...240 V, 380...480 V, 380...440 V



#### 200...240 V IP 21/UL Type 1 drives

##### Overall dimensions

Drives	W x H x D	
	mm	in.
ATV630U07M3	144 x 350 x 203	5.67 x 13.78 x 7.99
ATV630U15M3	144 x 350 x 203	5.67 x 13.78 x 7.99
ATV630U22M3	144 x 350 x 203	5.67 x 13.78 x 7.99
ATV630U30M3	144 x 350 x 203	5.67 x 13.78 x 7.99
ATV630U40M3	144 x 350 x 203	5.67 x 13.78 x 7.99
ATV630U55M3	171 x 409 x 233	6.73 x 16.10 x 9.17
ATV630U75M3	211 x 546 x 232	8.31 x 21.50 x 9.13
ATV630D11M3	211 x 546 x 232	8.31 x 21.50 x 9.13
ATV630D15M3	226 x 673 x 271	8.90 x 26.50 x 10.67
ATV630D18M3	226 x 673 x 271	8.90 x 26.50 x 10.67
ATV630D22M3	226 x 673 x 271	8.90 x 26.50 x 10.67
ATV630D30M3	290 x 922 x 323	11.42 x 36.30 x 12.72
ATV630D37M3	290 x 922 x 323	11.42 x 36.30 x 12.72
ATV630D45M3	290 x 922 x 323	11.42 x 36.30 x 12.72
ATV630D55M3	320 x 852 x 390	12.60 x 33.54 x 15.35
With kit for IP 21/UL Type 1 conformity	320 x 1157 x 390	12.60 x 45.55 x 15.35
ATV630D75M3	320 x 852 x 390	12.60 x 33.54 x 15.35
With kit for IP 21/UL Type 1 conformity	320 x 1157 x 390	12.60 x 45.55 x 15.35

#### 380...480 V IP 21/UL Type 1 drives

##### Overall dimensions

Drives	W x H x D	
	mm	in.
ATV630U07N4	144 x 350 x 203	5.67 x 13.78 x 7.99
ATV630U15N4	144 x 350 x 203	5.67 x 13.78 x 7.99
ATV630U22N4	144 x 350 x 203	5.67 x 13.78 x 7.99
ATV630U30N4	144 x 350 x 203	5.67 x 13.78 x 7.99
ATV630U40N4	144 x 350 x 203	5.67 x 13.78 x 7.99
ATV630U55N4	144 x 350 x 203	5.67 x 13.78 x 7.99
ATV630U75N4	171 x 409 x 233	6.73 x 16.10 x 9.17
ATV630D11N4	171 x 409 x 233	6.73 x 16.10 x 9.17
ATV630D15N4	211 x 546 x 232	8.31 x 21.50 x 9.13
ATV630D18N4	211 x 546 x 232	8.31 x 21.50 x 9.13
ATV630D22N4	211 x 546 x 232	8.31 x 21.50 x 9.13
ATV630D30N4	226 x 673 x 271	8.90 x 26.50 x 10.67
ATV630D37N4	226 x 673 x 271	8.90 x 26.50 x 10.67
ATV630D45N4	226 x 673 x 271	8.90 x 26.50 x 10.67
ATV630D55N4	290 x 922 x 323	11.42 x 36.30 x 12.72
ATV630D75N4	290 x 922 x 323	11.42 x 36.30 x 12.72
ATV630D90N4	290 x 922 x 323	11.42 x 36.30 x 12.72
ATV630C11N4	320 x 852 x 390	12.60 x 33.54 x 15.35
With kit for IP 21/UL Type 1 conformity	320 x 1157 x 390	12.60 x 45.55 x 15.35
ATV630C13N4	320 x 852 x 390	12.60 x 33.54 x 15.35
With kit for IP 21/UL Type 1 conformity	320 x 1157 x 390	12.60 x 45.55 x 15.35
ATV630C16N4	320 x 852 x 390	12.60 x 33.54 x 15.35
With kit for IP 21/UL Type 1 conformity	320 x 1157 x 390	12.60 x 45.55 x 15.35

#### Floor standing 380...440 V IP 21 drives

##### Overall dimensions

Drives	W x H x D (1)	
	mm	in.
ATV630C11N4F	400 x 2150 x 642	15.75 x 84.65 x 25.28
ATV630C13N4F	400 x 2150 x 642	15.75 x 84.65 x 25.28
ATV630C16N4F	400 x 2150 x 642	15.75 x 84.65 x 25.28
ATV630C20N4F	600 x 2150 x 642	23.62 x 84.65 x 25.28
ATV630C25N4F	600 x 2150 x 642	23.62 x 84.65 x 25.28
ATV630C31N4F	600 x 2150 x 642	23.62 x 84.65 x 25.28

(1) The total depth includes a door handle of 42 mm/1.65 in.



### 380...480 V IP 55 drives

#### Overall dimensions

Drives	W x H x D	
	mm	in.
ATV650U07N4	264 x 678 x 272	10.39 x 26.69 x 10.71
ATV650U15N4	264 x 678 x 272	10.39 x 26.69 x 10.71
ATV650U22N4	264 x 678 x 272	10.39 x 26.69 x 10.71
ATV650U30N4	264 x 678 x 272	10.39 x 26.69 x 10.71
ATV650U40N4	264 x 678 x 272	10.39 x 26.69 x 10.71
ATV650U55N4	264 x 678 x 272	10.39 x 26.69 x 10.71
ATV650U75N4	264 x 678 x 299	10.39 x 26.69 x 11.77
ATV650D11N4	264 x 678 x 299	10.39 x 26.69 x 11.77
ATV650D15N4	264 x 678 x 299	10.39 x 26.69 x 11.77
ATV650D18N4	264 x 678 x 299	10.39 x 26.69 x 11.77
ATV650D22N4	264 x 678 x 299	10.39 x 26.69 x 11.77
ATV650D30N4	290 x 910 x 340	11.42 x 35.83 x 13.39
ATV650D37N4	290 x 910 x 340	11.42 x 35.83 x 13.39
ATV650D45N4	290 x 910 x 340	11.42 x 35.83 x 13.39
ATV650D55N4	345 x 1250 x 375	13.58 x 49.21 x 14.76
ATV650D75N4	345 x 1250 x 375	13.58 x 49.21 x 14.76
ATV650D90N4	345 x 1250 x 375	13.58 x 49.21 x 14.76

### 380...480 V IP 55 drives with Vario disconnect switch

#### Overall dimensions

Drives	W x H x D (1)	
	mm	in.
ATV650U07N4E	264 x 678 x 300	10.39 x 26.69 x 11.81
ATV650U15N4E	264 x 678 x 300	10.39 x 26.69 x 11.81
ATV650U22N4E	264 x 678 x 300	10.39 x 26.69 x 11.81
ATV650U30N4E	264 x 678 x 300	10.39 x 26.69 x 11.81
ATV650U40N4E	264 x 678 x 300	10.39 x 26.69 x 11.81
ATV650U55N4E	264 x 678 x 300	10.39 x 26.69 x 11.81
ATV650U75N4E	264 x 678 x 330	10.39 x 26.69 x 12.99
ATV650D11N4E	264 x 678 x 330	10.39 x 26.69 x 12.99
ATV650D15N4E	264 x 678 x 330	10.39 x 26.69 x 12.99
ATV650D18N4E	264 x 678 x 330	10.39 x 26.69 x 12.99
ATV650D22N4E	264 x 678 x 330	10.39 x 26.69 x 12.99
ATV650D30N4E	290 x 910 x 401	11.42 x 35.83 x 15.79
ATV650D37N4E	290 x 910 x 401	11.42 x 35.83 x 15.79
ATV650D45N4E	290 x 910 x 401	11.42 x 35.83 x 15.79
ATV650D55N4E	345 x 1250 x 436	13.58 x 49.21 x 17.17
ATV650D75N4E	345 x 1250 x 436	13.58 x 49.21 x 17.17
ATV650D90N4E	345 x 1250 x 436	13.58 x 49.21 x 17.17

### Floor standing 380...440 V IP 54 drives

#### Overall dimensions

Drives	W x H x D (2)	
	mm	in.
ATV650C11N4F	400 x 2350 x 664	15.75 x 92.52 x 26.14
ATV650C13N4F	400 x 2350 x 664	15.75 x 92.52 x 26.14
ATV650C16N4F	400 x 2350 x 664	15.75 x 92.52 x 26.14
ATV650C20N4F	600 x 2350 x 664	23.62 x 92.52 x 26.14
ATV650C25N4F	600 x 2350 x 664	23.62 x 92.52 x 26.14
ATV650C31N4F	600 x 2350 x 664	23.62 x 92.52 x 26.14

(1) The total depth includes a door handle of 64 mm/2.54 in. The total height includes a plinth of 200 mm/7.87 in.



#### Floor standing 380...415 V ("Compact") IP 23 drives

##### Overall dimensions

Drives	W x H x D (1)	
	mm	in.
ATV660C11Q4X1	400 x 2150 x 664	15.75 x 84.65 x 26.14
ATV660C13Q4X1	400 x 2150 x 664	15.75 x 84.65 x 26.14
ATV660C16Q4X1	400 x 2150 x 664	15.75 x 84.65 x 26.14
ATV660C20Q4X1	600 x 2150 x 664	23.62 x 84.65 x 26.14
ATV660C25Q4X1	600 x 2150 x 664	23.62 x 84.65 x 26.14
ATV660C31Q4X1	600 x 2150 x 664	23.62 x 84.65 x 26.14
ATV660C35Q4X1	800 x 2150 x 664	31.50 x 84.65 x 26.14
ATV660C40Q4X1	800 x 2150 x 664	31.50 x 84.65 x 26.14
ATV660C45Q4X1	800 x 2150 x 664	31.50 x 84.65 x 26.14
ATV660C50Q4X1	800 x 2150 x 664	31.50 x 84.65 x 26.14
ATV660C56Q4X1	1200 x 2150 x 664	47.24 x 84.65 x 26.14
ATV660C63Q4X1	1200 x 2150 x 664	47.24 x 84.65 x 26.14
ATV660C71Q4X1	1400 x 2150 x 664	55.12 x 84.65 x 26.14
ATV660C80Q4X1	1400 x 2150 x 664	55.12 x 84.65 x 26.14

#### Floor standing 380...415 V ("Low Harmonic") IP 23 drives

##### Overall dimensions

Drives	W x H x D (1)	
	mm	in.
ATV680C11Q4X1	600 x 2150 x 664	23.62 x 84.65 x 26.14
ATV680C13Q4X1	600 x 2150 x 664	23.62 x 84.65 x 26.14
ATV680C16Q4X1	600 x 2150 x 664	23.62 x 84.65 x 26.14
ATV680C20Q4X1	1000 x 2150 x 664	39.37 x 84.65 x 26.14
ATV680C25Q4X1	1000 x 2150 x 664	39.37 x 84.65 x 26.14
ATV680C31Q4X1	1000 x 2150 x 664	39.37 x 84.65 x 26.14
ATV680C35Q4X1	1600 x 2150 x 664	62.99 x 84.65 x 26.14
ATV680C40Q4X1	1600 x 2150 x 664	62.99 x 84.65 x 26.14
ATV680C45Q4X1	1600 x 2150 x 664	62.99 x 84.65 x 26.14
ATV680C50Q4X1	1600 x 2150 x 664	62.99 x 84.65 x 26.14
ATV680C56Q4X1	2000 x 2150 x 664	78.74 x 84.65 x 26.14
ATV680C63Q4X1	2000 x 2150 x 664	78.74 x 84.65 x 26.14
ATV680C71Q4X1	2600 x 2150 x 664	102.36 x 84.65 x 26.14
ATV680C80Q4X1	2600 x 2150 x 664	102.36 x 84.65 x 26.14

(1) The total depth includes a door handle of 64 mm/2.54 in. The dimensions can differ depending on the chosen options. For further information, please consult our Customer Care Center.



Passive filters: 400 V 50 Hz three-phase supply		
Overall dimensions		
Passive filters	W x H x D	
	mm	in.
VW3A46101	190 x 332.11 x 205.5	7.48 x 13.08 x 8.09
VW3A46102	190 x 332.11 x 205.5	7.48 x 13.08 x 8.09
VW3A46103	190 x 332.11 x 205.5	7.48 x 13.08 x 8.09
VW3A46104	232 x 436.11 x 247.5	9.13 x 17.17 x 9.74
VW3A46105	232 x 436.11 x 247.5	9.13 x 17.17 x 9.74
VW3A46106	378 x 594.08 x 242	14.88 x 23.39 x 9.53
VW3A46107	378 x 594.08 x 242	14.88 x 23.39 x 9.53
VW3A46108	378 x 623.6 x 333	14.88 x 24.55 x 13.11
VW3A46109	378 x 623.6 x 333	14.88 x 24.55 x 13.11
VW3A46110	418 x 736.8 x 333	16.46 x 29.01 x 13.11
VW3A46111	418 x 736.8 x 333	16.46 x 29.01 x 13.11
VW3A46112	418 x 767.6 x 400	16.46 x 30.22 x 15.75
VW3A46113	418 x 767.6 x 400	16.46 x 30.22 x 15.75
VW3A46114	468 x 900.06 x 448.5	18.42 x 35.43 x 17.66
VW3A46115	468 x 900.06 x 448.5	18.42 x 35.43 x 17.66
VW3A46116	468 x 900.06 x 448.5	18.42 x 35.43 x 17.66
VW3A46120	190 x 332.11 x 205.5	7.48 x 13.08 x 8.09
VW3A46121	190 x 332.11 x 205.5	7.48 x 13.08 x 8.09
VW3A46122	190 x 332.11 x 205.5	7.48 x 13.08 x 8.09
VW3A46123	232 x 436.11 x 247.5	9.13 x 17.17 x 9.74
VW3A46124	232 x 436.11 x 247.5	9.13 x 17.17 x 9.74
VW3A46125	378 x 594.08 x 242	14.88 x 23.39 x 9.53
VW3A46126	378 x 594.08 x 242	14.88 x 23.39 x 9.53
VW3A46127	378 x 623.6 x 333	14.88 x 24.55 x 13.11
VW3A46128	378 x 623.6 x 333	14.88 x 24.55 x 13.11
VW3A46129	418 x 736.8 x 333	16.46 x 29.01 x 13.11
VW3A46130	418 x 736.8 x 333	16.46 x 29.01 x 13.11
VW3A46131	418 x 767.6 x 400	16.46 x 30.22 x 15.75
VW3A46132	418 x 767.6 x 400	16.46 x 30.22 x 15.75
VW3A46133	468 x 900.06 x 448.5	18.42 x 35.43 x 17.66
VW3A46134	468 x 900.06 x 448.5	18.42 x 35.43 x 17.66
VW3A46135	468 x 900.06 x 510	18.42 x 35.43 x 20

**Passive filters: 460 V 60 Hz three-phase supply****Overall dimensions**

Passive filters	W x H x D	
	mm	in.
VW3A46139	190 x 332.11 x 205.5	7.48 x 13.08 x 8.09
VW3A46140	190 x 332.11 x 205.5	7.48 x 13.08 x 8.09
VW3A46141	190 x 332.11 x 205.5	7.48 x 13.08 x 8.09
VW3A46142	232 x 436.11 x 247.5	9.13 x 17.17 x 9.74
VW3A46143	232 x 436.11 x 247.5	9.13 x 17.17 x 9.74
VW3A46144	378 x 594.08 x 242	14.88 x 23.39 x 9.53
VW3A46145	378 x 594.08 x 242	14.88 x 23.39 x 9.53
VW3A46146	378 x 594.08 x 242	14.88 x 23.39 x 9.53
VW3A46147	378 x 623.6 x 333	14.88 x 24.55 x 13.11
VW3A46148	378 x 623.6 x 333	14.88 x 24.55 x 13.11
VW3A46149	418 x 736.8 x 333	16.46 x 29.01 x 13.11
VW3A46150	418 x 736.8 x 333	16.46 x 29.01 x 13.11
VW3A46151	418 x 767.6 x 400	16.46 x 30.22 x 15.75
VW3A46152	418 x 767.6 x 400	16.46 x 30.22 x 15.75
VW3A46153	468 x 900.06 x 448.5	18.42 x 35.43 x 17.66
VW3A46154	468 x 900.06 x 448.5	18.42 x 35.43 x 17.66
VW3A46158	190 x 332.11 x 205.5	7.48 x 13.08 x 8.09
VW3A46159	190 x 332.11 x 205.5	7.48 x 13.08 x 8.09
VW3A46160	190 x 332.11 x 205.5	7.48 x 13.08 x 8.09
VW3A46161	232 x 436.11 x 247.5	9.13 x 17.17 x 9.74
VW3A46162	232 x 436.11 x 247.5	9.13 x 17.17 x 9.74
VW3A46163	378 x 594.08 x 242	14.88 x 23.39 x 9.53
VW3A46164	378 x 594.08 x 242	14.88 x 23.39 x 9.53
VW3A46165	378 x 594.08 x 242	14.88 x 23.39 x 9.53
VW3A46166	378 x 623.6 x 333	14.88 x 24.55 x 13.11
VW3A46167	378 x 623.6 x 333	14.88 x 24.55 x 13.11
VW3A46168	418 x 736.8 x 333	16.46 x 29.01 x 13.11
VW3A46169	418 x 736.8 x 333	16.46 x 29.01 x 13.11
VW3A46170	418 x 767.6 x 400	16.46 x 30.22 x 15.75
VW3A46171	418 x 767.6 x 400	16.46 x 30.22 x 15.75
VW3A46172	468 x 900.06 x 448.5	18.42 x 35.43 x 17.66
VW3A46173	468 x 900.06 x 510	18.42 x 35.43 x 20

**Additional EMC input filters****Overall dimensions**

EMC filters	W x H x D	
	mm	in.
VW3A4701	75 x 230 x 135	2.95 x 9.06 x 5.32
VW3A4702	75 x 250 x 140	2.95 x 9.84 x 5.51
VW3A4703	80 x 290 x 160	3.15 x 11.42 x 6.30
VW3A4704	90 x 300 x 170	3.54 x 11.81 x 6.69
VW3A4705	100 x 330 x 180	3.94 x 12.99 x 7.09
VW3A4706	130 x 350 x 190	5.12 x 13.78 x 7.48
VW3A4707	140 x 400 x 242	5.51 x 15.75 x 9.53
VW3A4708	242 x 450 x 320	9.53 x 17.72 x 12.60
VW3A4709	260 x 520 x 117	10.24 x 20.47 x 4.61
VW3A4710	260 x 520 x 117	10.24 x 20.47 x 4.61

**dv/dt filters****Overall dimensions**

dv/dt filters	W x H x D	
	mm	in.
VW3A5301	295 x 530 x 215	11.61 x 20.87 x 8.47
VW3A5302	295 x 530 x 215	11.61 x 20.87 x 8.47
VW3A5303	295 x 530 x 215	11.61 x 20.87 x 8.47
VW3A5304	300 x 560 x 245	11.81 x 22.05 x 9.65
VW3A5305	300 x 610 x 245	11.81 x 24.02 x 9.65
VW3A5306	350 x 380 x 235	13.78 x 14.96 x 9.25
VW3A5307	360 x 420 x 270	14.17 x 16.54 x 10.63

**Sinus filters****Overall dimensions**

Sinus filters	W x H x D	
	mm	in.
VW3A5401	220 x 455 x 210	8.66 x 17.91 x 8.27
VW3A5402	220 x 455 x 210	8.66 x 17.91 x 8.27
VW3A5403	295 x 530 x 215	11.61 x 20.87 x 8.47
VW3A5404	300 x 560 x 245	11.81 x 22.05 x 9.65
VW3A5405	375 x 760 x 285	14.76 x 29.92 x 11.22
VW3A5406	430 x 350 x 495	16.93 x 13.78 x 19.49
VW3A5407	460 x 370 x 565	18.11 x 14.57 x 22.24

# Variable speed drives

## Altivar Process

A whole world of Services for your Drives by Schneider Electric



### Presentation

Schneider Electric offers an extensive range of support services to help ensure the reliability of your installation in the long term, control your maintenance costs, and keep your process running at peak performance for maximum efficiency. Altivar Process has been designed in harmony with a whole range of services offered by Schneider Electric.

<b>A worldwide network, 24/7:</b> <ul style="list-style-type: none"> <li>400 highly qualified and certified experts</li> <li>Field service engineers, online experts</li> </ul>		<b>A digital world of Services:</b> <ul style="list-style-type: none"> <li>"Schneider Electric Customer Care" app</li> <li>Remote technical support</li> </ul>	
People			Digitized support material
Spare parts			Service provisions
<b>A dedicated supply chain:</b> <ul style="list-style-type: none"> <li>All the spare parts you need</li> <li>Designed and manufactured by Schneider Electric</li> </ul>		<b>An optimal life cycle model:</b> <ul style="list-style-type: none"> <li>Spare parts management, Exchange and Repairs</li> <li>Extended warranties, Maintenance plans</li> </ul>	

### Schneider Electric drive maintenance expert certification

A worldwide network, 24/7:

- 400 highly qualified and certified experts
- Our Field Service Engineers follow a proven Drives certification program designed to support you with maximum expertise and efficiency.
- For fast, in-depth diagnostics and repairs, they are equipped with professional tools and software.

	Repair Centers	Low Voltage (LV) Drives field service engineers	Medium Voltage (MV) Drives field service engineers
Module A	LV drive safety training		MV drive safety training
Module B	Technical training for LV drives		Technical training for MV drives
Module C	Repair center audit	Skills assessment	On-site start-up
Module D	Certification procedure		
Module E	Registration in Schneider Electric's international directory of Drives skills		
Module F	Re-certification every 2 years		

# Variable speed drives

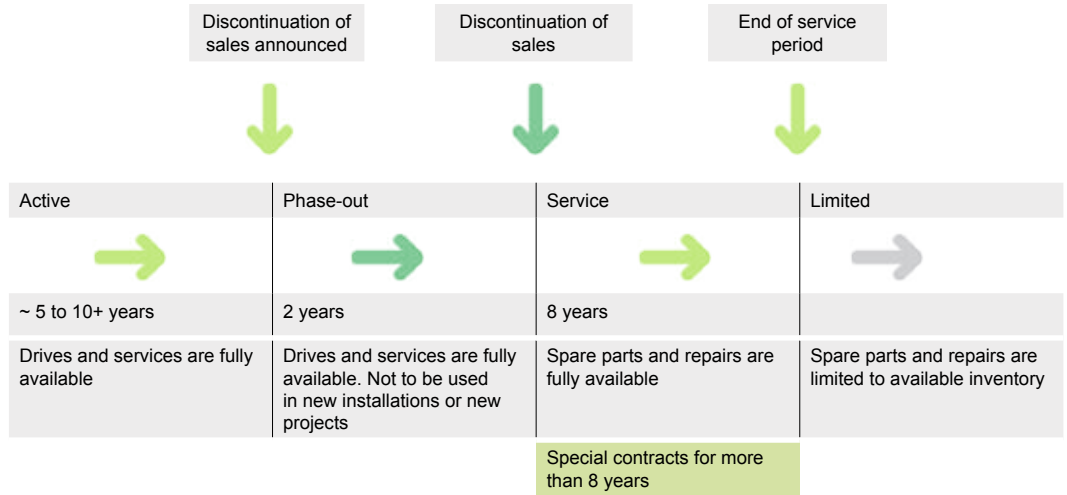
## Altivar Process

A whole world of Services for your Drives by Schneider Electric



### Schneider Electric drive life cycle policy

- The Schneider Electric drive life cycle model provides optimum support.
  - It is divided into 4 phases : Active, Phase out, Service, Limited
- The total Schneider Electric drive life cycle lasts more than 20 years.
  - Full maintainability: during Active, Phase out and Service periods
  - Optimized performance: during Active, Phase out and Service periods
  - Upgradability: during the Active period
  - Managed transition to new technology: during Phase out and Service periods



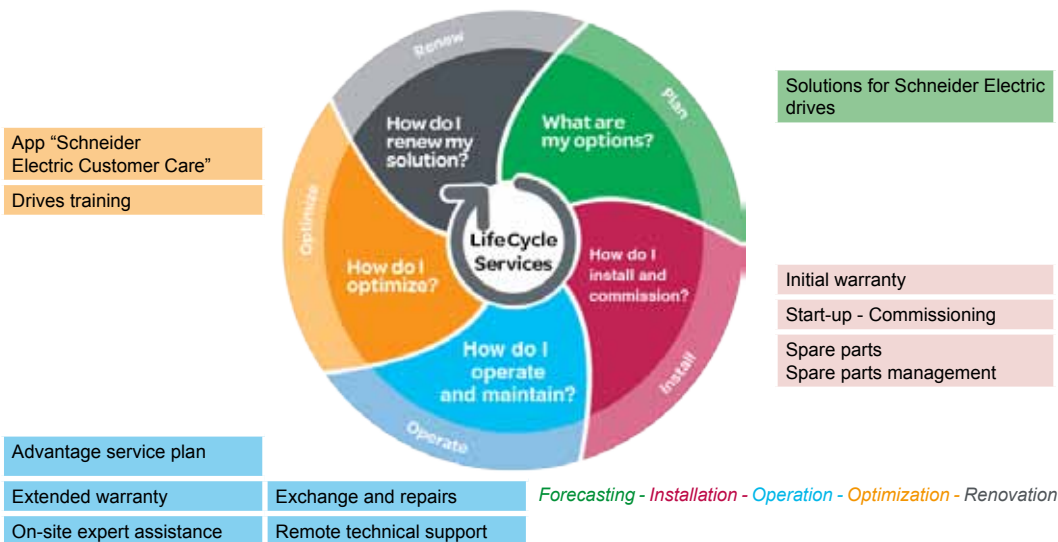
# Variable speed drives

## Altivar Process

A whole world of Services for your Drives by Schneider Electric

### Drives support and services offer by Schneider Electric (continued)

Schneider Electric has developed a generic Services offer to assist you throughout the life cycle of your product. From the Design to Renew phase, whether for standard or critical operations, you'll find the solution you need in our set of standardized offers.



The offer	Contact, How to order	Description
Solutions for Schneider Electric drives	Contact your center local service Schneider Electric	Our Schneider Electric experts can help you design your installation, offering whatever type of assistance you need from technical support to "turnkey" solutions.
Initial warranty	Included	When you register your drive, Schneider Electric will extend your initial warranty period by 6 months. Let's stay connected: registering allows Schneider Electric to keep you informed about recent innovations and propose Services to optimize your performance.
Start-up - Commissioning	Contact your center local service Schneider Electric	Our team of experts are specialists in installation commissioning and start-up whatever the conditions and for any application. This will extend your warranty period by an extra 6 months.
Spare parts - Spare parts management	Contact your center local service Schneider Electric	Our spare parts are available for the full life time of your equipment. They are designed and manufactured to the same high quality standards as our products. They are available via a dedicated supply chain for emergency shipments. Our team can help you identify critical parts and define the right level of the required stock. Whether stored in your premises (on-site) or in a central store (off-site), it's reassuring to know that critical spare parts are available 24/7.
Exchange and repairs	Contact your center local service Schneider Electric	Schneider Electric offers high-quality repair services via a global network of certified Repair Centers and certified Field Service Engineers to cover any need: repairs in Schneider Electric repair centers or exchanges with refurbished products, or on-site repairs (Schneider Electric intervention on your premises).

# Variable speed drives

## Altivar Process

A whole world of Services for your Drives by Schneider Electric

<b>Drives support and services offer by Schneider Electric (continued)</b>		
<b>The offer</b>	<b>Contact, How to order</b>	<b>Description</b>
Remote technical support	Contact your center local service Schneider Electric	Direct priority access to our experts to help you solve any technical difficulties. Our experts have extensive field experience and have fully mastered the technologies implemented. A simple phone conversation or on-line chat support are usually sufficient to help you find the best solution and can reduce your costs by avoiding on-site intervention.
On-site technical support	Contact your center local service Schneider Electric	Our field service engineers can support your maintenance staff in their everyday operations, or engage when requested in the event of an emergency.
Extended warranty	Contact your center local service Schneider Electric	Spare parts and repairs performed by Schneider Electric experts on duty.
Advantage service plan	Contact your center local service Schneider Electric	The Advantage Service plan combines the Preventive Maintenance program (annual visit for inspection, checks and replacement of worn parts) with the extended warranty (covering spare parts and repairs), plus remote technical support.
Drives training	Contact your center local service Schneider Electric	A full set of training courses to master your Altivar Process drive at any stage in the life cycle of your installation.
"Schneider Electric Customer Care" app	Download from the Apple Store® or Google Play Store™	Free download from the Apple Store® or Google Play Store™. Immediate access to Schneider Electric Customer Care Centers, product documentation, FAQs, Cloud services, etc. and plenty of other services yet to come.



<b>4</b>							
490NTC00005	36	ATV630U40M3	18	ATV660C71Q4X1	61	VW3A3203	33
	37	ATV630U40N4	19	ATV660C80Q4X1	61	VW3A3204	33
490NTC00005U	36	ATV630U55M3	18	ATV680C11Q4X1	65	VW3A3607	40
	37	ATV630U55N4	19	ATV680C13Q4X1	65	VW3A3608	38
490NTC00015	36	ATV630U75M3	18	ATV680C16Q4X1	65	VW3A3609	41
	37	ATV630U75N4	19	ATV680C20Q4X1	65	VW3A3618	38
490NTC00015U	36	ATV650C11N4F	23	ATV680C25Q4X1	65	VW3A3627	40
	37	ATV650C13N4F	23	ATV680C31Q4X1	65	VW3A3628	39
490NTW00002	36	ATV650C16N4F	23	ATV680C35Q4X1	65	VW3A3720	37
	37	ATV650C20N4F	23	ATV680C40Q4X1	65	VW3A46101	42
490NTW00002U	36	ATV650C25N4F	23	ATV680C45Q4X1	65	VW3A46102	42
	37	ATV650C31N4F	23	ATV680C50Q4X1	65	VW3A46103	42
490NTW00005	36	ATV650D11N4	21	ATV680C56Q4X1	65	VW3A46104	42
	37	ATV650D11N4E	22	ATV680C63Q4X1	65	VW3A46105	42
490NTW00005U	36	ATV650D15N4	21	ATV680C71Q4X1	65	VW3A46106	42
	37	ATV650D15N4E	22	ATV680C80Q4X1	65	VW3A46107	42
490NTW00012	36	ATV650D18N4	21			VW3A46108	42
	37	ATV650D18N4E	22	<b>L</b>		VW3A46109	42
490NTW00012U	36	ATV650D22N4	21	LU9AD7	40	VW3A46110	42
	37	ATV650D22N4E	22	LU9GC3	25	VW3A46111	42
		ATV650D30N4	21		36	VW3A46112	42
		ATV650D30N4E	22	<b>N</b>		VW3A46113	42
		ATV650D37N4	21	NSYAEFPFPTD	23	VW3A46114	42
		ATV650D37N4E	22	NSYPTDS1	23	VW3A46115	42
		ATV650D45N4	21	NSYPTDS2	23	VW3A46116	42
		ATV650D45N4E	22	NSYPTDS3	23	VW3A46120	43
		ATV650D55N4	21	NSYPTDS4	23	VW3A46121	43
		ATV650D55N4E	22	NSYPTDS5	23	VW3A46122	43
		ATV650D75N4	21			VW3A46123	43
		ATV650D75N4E	22	<b>T</b>		VW3A46124	43
		ATV650D90N4	21	TCSCAR01NM120	39	VW3A46125	43
		ATV650D90N4E	22	TCSCAR013M120	38	VW3A46126	43
		ATV650U07N4	21	TCSEGB13FA0	24	VW3A46127	43
		ATV650U07N4E	22	TCSXCNAMUM3P	25	VW3A46128	43
		ATV650U15N4	21	TSXCANCA50	38	VW3A46129	43
		ATV650U15N4E	22	TSXCANCA100	38	VW3A46130	43
		ATV650U22N4	21	TSXCANCA300	38	VW3A46131	43
		ATV650U22N4E	22	TSXCANCA300	38	VW3A46132	43
		ATV650U30N4	21	TSXCANCA300	38	VW3A46133	43
		ATV650U30N4E	22	TSXCANCA300	38	VW3A46134	43
		ATV650U40N4	21	TSXCANCA300	38	VW3A46135	43
		ATV650U40N4E	22	TSXCANCA300	38	VW3A46139	44
		ATV650U55N4	21	TSXCANCA300	38	VW3A46140	44
		ATV650U55N4E	22	TSXCANCA300	38	VW3A46141	44
		ATV650U75N4	21	TSXCANCA300	38	VW3A46142	44
		ATV650U75N4E	22	TSXCANCA300	38	VW3A46143	44
		ATV660C11Q4X1	61	TSXCANCA300	38	VW3A46144	44
		ATV660C13Q4X1	61	TSXCANCA300	38	VW3A46145	44
		ATV660C16Q4X1	61	TSXCANCA300	38	VW3A46146	44
		ATV660C20Q4X1	61	TSXCANCA300	38	VW3A46147	44
		ATV660C25Q4X1	61	TSXCANCA300	38	VW3A46148	44
		ATV660C31Q4X1	61	TSXCANCA300	38	VW3A46149	44
		ATV660C35Q4X1	61	TSXCANCA300	38	VW3A46150	44
		ATV660C40Q4X1	61	TSXCANCA300	38	VW3A46151	44
		ATV660C45Q4X1	61	TSXCANCA300	38	VW3A46152	44
		ATV660C50Q4X1	61	TSXCANCA300	38	VW3A46153	44
		ATV660C56Q4X1	61	TSXCANCA300	38	VW3A46154	44
		ATV660C63Q4X1	61	TSXCANCA300	38	VW3A46158	45
				<b>V</b>		VW3A46159	45
				VW3A1104R10	25	VW3A46160	45
				VW3A1104R100	25	VW3A46161	45
				VW3A1104R30	25	VW3A46162	45
				VW3A1104R50	25	VW3A46163	45
				VW3A1111	24	VW3A46164	45
				VW3A1112	25	VW3A46165	45
				VW3A1115	25	VW3A46166	45
						VW3A46167	45
						VW3A46168	45
						VW3A46169	45
						VW3A46170	45
						VW3A46171	45
						VW3A46172	45
						VW3A46173	45
						VW3A4701	46
							47
						VW3A4702	46
							47
						VW3A4703	46
							47
						VW3A4704	46
							47
						VW3A4705	46
							47
						VW3A4706	46
							47
						VW3A4707	46
							47
						VW3A4708	46
							47
						VW3A4709	46
							47
						VW3A4710	46
							47
						VW3A47901	47
						VW3A47902	47
						VW3A47903	47
						VW3A47904	47
						VW3A47905	47
						VW3A47906	47
						VW3A47907	47
						VW3A47908	47
						VW3A5301	48
							49
						VW3A5302	48
							49
						VW3A5303	48
							49
						VW3A5304	48
							49
						VW3A5305	48
							49
						VW3A5306	48
							49
						VW3A5307	48
							49
						VW3A53901	51



Altivar drives



**Schneider Electric Industries SAS**

Head Office  
35, rue Joseph Monier  
F-92500 Rueil-Malmaison  
France

[www.schneider-electric.com/drives](http://www.schneider-electric.com/drives)

The information provided in this documentation contains general descriptions and/or technical characteristics of the performance of the products contained herein. This documentation is not intended as a substitute for and is not to be used for determining suitability or reliability of these products for specific user applications. It is the duty of any such user or integrator to perform the appropriate and complete risk analysis, evaluation and testing of the products with respect to the relevant specific application or use thereof. Neither Schneider Electric nor any of its affiliates or subsidiaries shall be responsible or liable for misuse of the information contained herein.

Design: Schneider Electric  
Photos: Schneider Electric

DIA2ED2140502EN